

TABULAR DATA SHEET

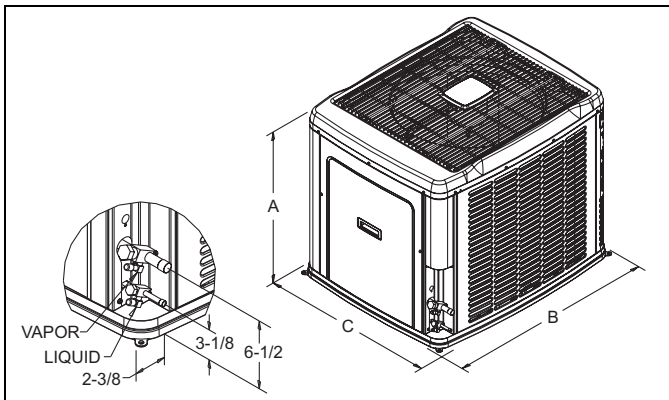
Outdoor Split System Heat Pump 2 Thru 5 Tons

MODELS: HL6B024* THRU 60*(C)
15/16 SEER – R-410A

Physical and Electrical Data

Model	HL6B024F3(C)	HL6B030F3(C)	HL6B036F3(C)	HL6B042F3(C)	HL6B048F3(C)	HL6B060F3(C)	
Unit Supply Voltage	208-230V, 1 ϕ , 60Hz						
Normal Voltage Range ¹	187 to 252						
Minimum Circuit Ampacity	17.5	17.3	22.6	26.1	26.9	33.8	
Max. Overcurrent Device Amps ²	30	30	35	45	45	50	
Min. Overcurrent Device Amps ³	20	20	25	30	30	35	
Compressor Type	Scroll	Scroll	Scroll	Scroll	Scroll	2-Stage Scroll	
Compressor Amps	Rated Load	13.4	12.8	17	19.8	20.5	26
	Locked Rotor	58.3	64	77	115	115	118
Crankcase Heater	No	No	No	No	No	No	
Factory External Discharge Muffler	Yes	Yes	Yes	Yes	Yes	Yes	
Factory External Check Valve	No	No	No	No	No	No	
HS Kit Required with TXV ⁴	No	No	No	No	No	No	
Fan Motor Amps	Rated Load	0.7	1.3	1.3	1.3	1.3	
Fan Diameter Inches	24	24	24	24	24	24	
Fan Motor	Rated HP	1/8	1/4	1/4	1/4	1/4	
	Nominal RPM	1075	850	850	850	850	
	Nominal CFM	2750	3800	3800	3800	3400	3700
Coil	Face Area Sq. Ft.	20.6	23.6	23.6	23.6	23.6	
	Rows Deep	1	1	1	1	2	
	Fins / Inch	22	22	22	22	22	14
Liquid Line Set OD (Field Installed)	3/8	3/8	3/8	3/8	3/8	3/8	
Vapor Line Set OD (Field Installed)	3/4	3/4	3/4	7/8	7/8	1-1/8	
Unit Charge (Lbs. - Oz.) ⁵	9 - 3	9 - 13	10 - 10	11 - 12	14 - 5	14 - 11	
Charge Per Foot, Oz.	0.62	0.62	0.62	0.67	0.67	0.75	
Operating Weight Lbs.	199	228	230	234	283	298	

1. Rated in accordance with ANSI/AHRI Standard 110-2002, utilization range "A".
2. Dual element fuses or HACR circuit breaker. Maximum allowable overcurrent protection.
3. Dual element fuses or HACR circuit breaker. Minimum recommended overcurrent protection.
4. See Hard Start Kit Accessory Installation Manual for Hard Start Kit part number for each model.
5. The Unit Charge is correct for the outdoor unit, matched indoor coil, and 15 feet of refrigerant tubing. For tubing lengths other than 15 feet, add or subtract the amount of refrigerant, using the difference in length multiplied by the per foot value.



All dimensions are in inches. They are subject to change without notice. Certified dimensions will be provided upon request.

Unit Model	Dimensions (Inches)			Refrigerant Connection Service Valve Size	
	A	B	C	Liquid	Vapor
024	39-1/2	37	31	3/8"	3/4"
030	39-1/2	42	34		
036	39-1/2	42	34		
042	39-1/2	42	34		7/8"
048	39-1/2	42	34		
060	39-1/2	42	34		

1. Adapter fitting required for 1-1/8" line set.

System Charge for Various Matched Systems						
Outdoor Unit	HL6B024F3(C)	HL6B030F3(C)	HL6B036F3(C)	HL6B042F3(C)	HL6B048F3(C)	HL6B060F3(C)
Required TXV ^{1,2}	4N1	4H1	4H1	4J1	4J1	4K1
Indoor Unit ^{3,4}	TXV Kit ⁵ Additional Charge, oz					
FC/MC/PC35	TXV + 0	--	--	--	--	--
FC/MC/PC43	TXV + 12	TXV + 0	--	--	--	--
FC/MC/PC60	--	--	TXV + 20	--	--	--
FC/MC/62	--	--	--	TXV + 0	TXV + 0	TXV + 0

Footnotes:

- For applications requiring a TXV use S1-1TVM*** series kit.
- Systems matched with furnaces or air handlers not equipped with blower-off delays may require blower Time Delay Kit S1-2FD06700224.
- PC coils cannot be used in downflow or horizontal applications. FC coils cannot be used in horizontal applications.
- A TXV kit must be used with these coils to obtain system performance.

Note: If a TXV is factory installed on the coil, it must be replaced with the listed TXV.

Procedures:

- Unit factory charge listed on the unit nameplate includes refrigerant for the outdoor unit, the smallest matched indoor unit, and 15 feet of interconnecting line tubing.
- Verify the TXV and additional charge required for specific matched indoor unit in the system using the above table.
- Add additional charge for the amount of interconnecting line tubing greater than 15 feet at the rate specified in Physical and Electrical Data table.
- For TXV matches requiring additional charge, the refrigerant needs to be weighed in for specific coil match and lineset length.
- Permanently mark the unit nameplate with the total system charge. Total system charge = base charge as shipped plus charge adder for matched indoor unit and charge adder for line set.

Thermo Products, LLC
5235 West State Road 10
North Judson, IN 46366
www.thermopride.com