

TABULAR DATA SHEET

Outdoor Split System Heat Pump 1.5 Thru 5 Tons

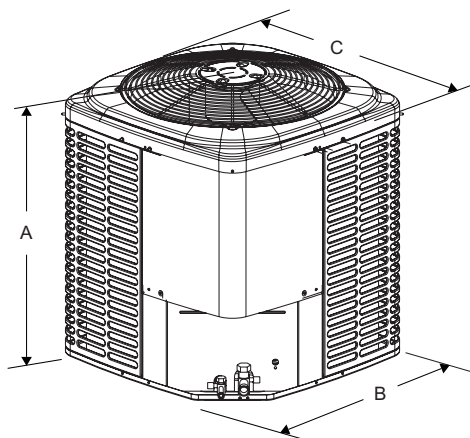
MODELS: THJF18* THRU 60
14.5 SEER – R-410A, 1 PHASE

Physical and Electrical Data

MODEL		THJF18 S41S3	THJF24 S41S3	THJF30 S41S3	THJF36 S41S3	THJF42 S41S3	THJF48 S41S3	THJF60 S41S3
Unit Supply Voltage		208-230V, 1 ϕ , 60Hz						
Normal Voltage Range ¹		187 to 252						
Minimum Circuit Ampacity		11.9	17.6	17.3	23.7	26.1	28.8	35.3
Max. Overcurrent Device Amps ²		20	30	30	40	45	50	60
Min. Overcurrent Device Amps ³		15	20	20	25	30	30	40
Compressor Type		Scroll	Scroll	Scroll	Scroll	Scroll	Scroll	2-Stage Scroll
Compressor	Rated Load	9.0	13.4	12.8	17.9	19.8	28.8	35.3
	Locked Rotor	48.0	58.3	64.0	96.7	115.0	115.0	118.0
Crankcase Heater		No	No	No	No	No	No	No
Factory External Discharge Muffler		Yes	Yes	Yes	Yes	Yes	Yes	Yes
Factory External Check Valve		No	No	No	No	No	No	No
HS Kit Required with TXV ⁴		No	No	No	No	No	No	No
Fan Motor Amps	Rated Load	0.7	0.8	1.3	1.3	1.3	1.3	1.3
	Fan Diameter Inches	24	22	24	24	24	24	24
Fan Motor	Rated HP	1/10	1/8	1/4	1/4	1/4	1/4	1/4
	Nominal RPM	825	1075	850	850	850	850	850
	Nominal CFM	2000	2000	3900	3900	3900	3800	3800
Coil	Face Area Sq. Ft.	15.72	19.17	23.58	23.58	23.58	23.58	23.58
	Rows Deep	1	1	1	1	1	2	2
	Fin / Inches	22	22	22	22	22	18	18
Liquid Line Set OD (Field Installed)		3/8	3/8	3/8	3/8	3/8	3/8	3/8
Vapor Line Set OD (Field Installed)		3/4	3/4	3/4	3/4	7/8	7/8	1-1/8
Unit Charge (Lbs. - Oz.) ⁵		6 - 15	7 - 14	9 - 14	10 - 9	10 - 14	14 - 2	14 - 2
Charge Per Foot, Oz.		0.62	0.62	0.62	0.62	0.67	0.67	0.75
Operating Weight Lbs.		145	145	176	193	198	248	290

1. Rated in accordance with ANSI/AHRI Standard 110-2002, utilization range "A".
2. Dual element fuses or HACR circuit breaker. Maximum allowable overcurrent protection.
3. Dual element fuses or HACR circuit breaker. Minimum recommended overcurrent protection.
4. See Hard Start Kit Accessory Installation Manual for Hard Start Kit part number for each model.
5. The Unit Charge is correct for the outdoor unit, matched indoor coil, and 15 feet of refrigerant tubing. For tubing lengths other than 15 feet, add or subtract the amount of refrigerant, using the difference in length multiplied by the per foot value.

All dimensions are in inches. They are subject to change without notice. Certified dimensions will be provided upon request.



Unit Model	Dimensions (Inches)			Refrigerant Connection Service Valve Size	
	A ¹	B	C	Liquid	Vapor
18	28	34	34	3/8"	3/4"
24	40	29	29		
30	40	34	34		
36	40	34	34		
42	40	34	34	7/8"	7/8"
48	40	34	34		
60	40	34	34		

1. Including Fan Guard.

System Charge for Various Matched Systems							
Outdoor Unit	THJF18 S41S3	THJF24 S41S3	THJF30 S41S3	THJF36 S41S3	THJF42 S41S3	THJF48 S41S3	THJF60 S41S3
Required Orifice or TXV ^{1,2}	.051/4F1	.059/4G1	.063/4G1	.071/4H1	.075/4J1	4J1	4K1
Indoor Unit ^{3,4}	Additional Charge, oz						
FC/MC/PC35	.051/TXV+0	.059/TXV+0	--	--	--	--	--
FC/MC/PC43	.051/TXV+13	.059/TXV+12	.063/TXV+0	.071/TXV+0	--	--	--
FC/MC/PC60	--	--	--	--	.073/TXV – 5	--	--
FC/MC/62	--	--	--	--	.075/TXV+0	TXV+0	TXV+0

Footnotes:

1. For applications requiring a TXV use S1-1TVM*** series kit.
2. Approved orifice shipped with outdoor unit.
3. Systems matched with furnaces or air handlers not equipped with blower-off delays may require blower Time Delay Kit S1-2FD06700224.
4. PC coils cannot be used in downflow or horizontal applications. FC coils cannot be used in horizontal applications.

Procedures:

1. Unit factory charge listed on the unit nameplate includes refrigerant for the condenser, the smallest evaporator and 15 feet of interconnecting line tubing.
2. Verify the TXV and additional charge required for specific matched indoor unit in the system using the above table.
3. Add additional charge for the amount of interconnecting line tubing greater than 15 feet at the rate specified in Physical and Electrical Data table.
4. For orifice or TXV matches requiring additional charge, the refrigerant needs to be weighed in for specific coil match and lineset length.
5. Permanently mark the unit nameplate with the total system charge. Total system charge = base charge as shipped plus charge adder for matched indoor unit and charge adder for line set.

Thermo Products, LLC
5235 West State Road 10
North Judson, IN 46366
www.thermopride.com