

TABULAR DATA SHEET

LX SERIES SPLIT SYSTEM AIR CONDITIONERS 13 SEER – R-410A – 1 PHASE – 1.5 THRU 5 NOMINAL TONS MODELS: TCJD18 THRU 60

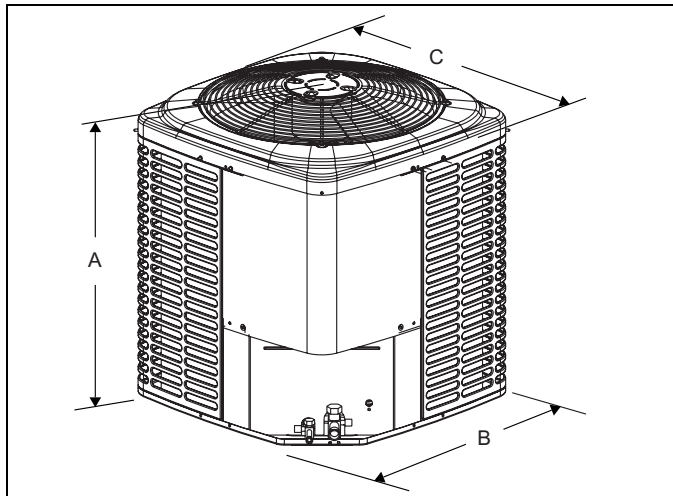
Physical and Electrical Data

MODEL		TCJD18 S41S3(H)(E)	TCJD24 S41S3(H)(E)	TCJD30 S41S3(H)(E)	TCJD36 S41S3(H)(E)	TCJD42 S41S4(H)(E)	TCJD48 S41S3(H)(E)	TCJD60 S41S4(E)
Unit Supply Voltage		208-230V, 1 ϕ , 60Hz						
Normal Voltage Range ¹		187 to 252						
Minimum Circuit Ampacity		10.0	12.4	14.7	17.9	21.5	21.1	34.5
Max. Overcurrent Device Amps ²		15	20	25	30	35	35	60
Min. Overcurrent Device Amps ³		15	15	15	20	25	25	35
Compressor Type		Rotary	Recip	Recip	Recip	Recip	Recip	Scroll
Compressor Amps	Rated Load	7.6	9.3	10.6	13.1	16	15.7	26.4
	Locked Rotor	40	43	54	74	88	84	134
Crankcase Heater		No	No	No	No	No	No	No
Factory External Discharge Muffler		No	No	No	No	No	Yes	No
Factory External Check Valve		No	No	No	No	No	No	No
HS Kit Required with TXV ⁴		Yes	Yes	Yes	Yes	Yes	Yes	No
Fan Motor Amps	Rated Load	0.5	0.8	1.4	1.5	1.5	1.5	1.5
	Fan Diameter Inches	17.5	17.5	17.5	22.0	22.0	22.0	24.0
Fan Motor	Rated HP	1/12	1/8	1/4	1/4	1/4	1/4	1/4
	Nominal RPM	1100	1075	1100	850	850	850	850
	Nominal CFM	1400	1950	2050	3200	3050	2950	3400
Coil	Face Area Sq. Ft.	9.60	9.60	9.60	13.07	14.16	14.16	18.68
	Rows Deep	1	1	1	1	1	1	1
	Fins / Inch	23	23	23	23	23	23	23
Liquid Line Set OD (Field Installed)		3/8	3/8	3/8	3/8	3/8	3/8	3/8
Vapor Line Set OD (Field Installed)		5/8	3/4	3/4	3/4	7/8	7/8	7/8
Unit Charge (Lbs. - Oz.) ⁵		3 - 3	3 - 13	3 - 14	4 - 9	4 - 10	4 - 9	5 - 8
Charge Per Foot, Oz.		0.58	0.62	0.62	0.62	0.67	0.67	0.67
Operating Weight Lbs.		97	129	131	145	164	173	220

Models with "H" on the end of the model number are shipped with a Hard Start Kit installed at the factory.

Models with "E" on the end of the model number have an ElectroFin® or factory approved equivalent (contact the factory for details) coating on the outdoor coil.

1. Rated in accordance with AHRI Standard 110-2012, utilization range "A".
2. Dual element fuses or HACR circuit breaker. Maximum allowable overcurrent protection.
3. Dual element fuses or HACR circuit breaker. Minimum recommended overcurrent protection.
4. See Hard Start Kit Accessory Installation Manual for Hard Start Kit part number for each model.
5. The Unit Charge is correct for the outdoor unit, smallest matched indoor unit, and 15 feet of refrigerant tubing. For tubing lengths other than 15 feet, add or subtract the amount of refrigerant, using the difference in length multiplied by the per foot value.



Unit Model	Dimensions (Inches)			Refrigerant Connection Service Valve Size	
	A	B	C	Liquid	Vapor
18	28-1/4	24	24	3/8	3/4
24	28-1/4	24	24		
30	28-1/4	24	24		
36	28-1/4	29-1/2	29-1/2		
42	30-1/4	29-1/2	29-1/2	7/8	7/8
48	30-1/4	29-1/2	29-1/2		
60	32-1/4	34	34		

All dimensions are in inches and are subject to change without notice.
Overall height is from bottom of basepan to top of fan guard.
Overall length and width include screw heads.

System Charge for Various Matched Systems

Outdoor Unit	TCJD18 S41S3(H)(E)	TCJD24 S41S3(H)(E)	TCJD30 S41S3(H)(E)	TCJD36 S41S3(H)(E)	TCJD42 S41S4(H)(E)	TCJD48 S41S3(H)(E)	TCJD60 S41S4(E)
Required Orifice or TXV ^{1,2}	.048/4F1	.055/4F1	.061/4F1	.065/4G1	.073/4G1	.073/4H1	0.084/4J1
Indoor Unit ^{3,4,5}	Additional Charge, oz						
AHE18B	0	-	-	-	-	-	-
AHE24B	-	4	-	-	-	-	-
AHE30B	-	4	0	-	-	-	-
AHE36C	-	4	2	0	-	-	-
AHE42D	-	-	-	8	10	-	-
AHE48D	-	-	-	-	9	0	-
AHE60D	-	-	-	-	14	-	4
AHR18B	0	-	-	-	-	-	-
AHR24B	-	4	-	-	-	-	-
AHR30B	-	-	0	-	-	-	-
AHR36B	-	-	2	0	-	-	-
AHR42C	-	-	-	8	10	-	-
AHR48D	-	-	-	-	9	0	-
AHR60D	-	-	-	-	15	-	4
AHV18B	0	-	-	-	-	-	-
AHV24B	14	8	-	-	-	-	-
AHV30B	14	8	0	-	-	-	-
AHV36C	22	14	6	0	-	-	-
AHV42D	-	-	18	10	10	-	-
AHV48D	-	-	-	10	9	3	-
AHV60D	-	-	-	-	13	8	4
AV*24	TXV + 0	-	-	-	-	-	-
AV*36	-	4	2	0	-	-	-
AV*48	-	-	-	-	TXV + 10	0	-
AV*60	-	-	-	-	TXV + 10	0	0
FC/MC/PC18	0	-	-	-	-	-	-
FC/MC/PC32	-	4	0	-	-	-	-
FC/MC/PC35	-	4	0	-	-	-	-
FC/MC/PC36	-	0	-	-	-	-	-
FC/MC/PC37	-	4	2	0	-	-	-
FC/MC/PC43	-	4	2	0	0	-	-
FC/MC/PC48	-	-	-	8	10	4	-
FC/MC/PC60	-	-	-	-	9	0	0
FC/MC62	-	-	-	-	14	-	4
FC64	-	-	-	-	23	-	11
UC18	0	-	-	-	-	-	-
UC36	-	0	-	-	-	-	-
UC48	-	-	-	8	4	4	-
UC60	-	-	-	-	9	0	0

Some of the combinations shown in the above System Charge table require Advanced Main Air Circulating Fan indoor product. For approved coil only matches, please see the "COOLING CAPACITY - Upflow, Downflow & Horizontal Furnaces and Coils" table in the Technical Guide.

FOOTNOTES:

1. For applications requiring a TXV use S1-1TVM*** series kit.
2. Approved orifice(s) shipped with outdoor unit.
3. Systems matched with furnaces or air handlers not equipped with blower-off delays may require blower Time Delay Kit S1-2FD06700224.
4. PC coils cannot be used in downflow or horizontal applications. FC coils cannot be used in horizontal applications.
5. Refer to Technical Guide for actual performance for specified system matches.

PROCEDURES:

1. Unit factory charge listed on the unit nameplate includes refrigerant for the outdoor unit, the smallest matched indoor unit, and 15 feet of interconnecting line tubing.
2. Verify the TXV and additional charge required for specific matched indoor unit in the system using the above table.
3. Add additional charge for the amount of interconnecting line tubing greater than 15 feet at the rate specified in Physical and Electrical Data Table.
4. For indoor matches requiring additional charge, the refrigerant needs to be weighed in for specific matched indoor unit and lineset length.
5. Permanently mark the unit nameplate with the total system charge. Total System Charge = Base Charge (as shipped) + charge adder for matched indoor unit + charge adder for line set.

IMPORTANT

Models 12-48 require Hard Start Kits for TXV matches. Models with "H" on the end of the model number have factory installed Hard Start Kits. For models without an "H" refer to the Hard Start Kit Accessory Installation Manual for the Hard Start Kit part number for each model.

