



**GAS-FIRED CONDENSING MOBILE HOME FURNACE
DOWN FLOW & DIRECT VENT (SEALED COMBUSTION) FURNACE
SPECIFICATIONS**

MODEL NO.	CMA4-50D36		CMA4-75D36	
HEAT INPUT RATE (BTUH)	50,000		75,000	
OUTPUT (BTUH) ¹	48,000		72,000	
SEASONAL EFFICIENCY ²	95%		95%	
LARGEST REC A/C ³	3.5 TONS		3.5 TONS	
FUEL	NAT	LP	NAT	LP
BURNER ORIFICE	#42	#54	#42	#54
GAS SUPPLY PRESSURE (IN W.G.)				
MINIMUM REQUIRED	4.5	11	4.5	11
MAXIMUM ALLOWED	14	14	14	14
GAS MANIFOLD PRESSURE (IN W.G.)	3.5±0.3	10±0.3	3.5±0.3	10±0.3
NOMINAL TEMP. RISE	55°		65°	
VENT PIPE SIZE (IN.)	2" PVC		2" PVC	
CASING HEIGHT (IN.)	57"		57"	
CASING WIDTH (IN.)	18"		18"	
CASING DEPTH (IN.)	25 3/4"		25 3/4"	
APPROX. SHIPPING WEIGHT (LBS.)	175 LBS.		185 LBS.	
APPROVAL AGENCY	ETL		ETL	
SIZE OF PERM. FILTER	18" X 24"		18" X 24"	
ELECTRICAL REQUIREMENTS	115 VAC/ 60 HZ/ 1 PHASE		115 VAC/ 60 HZ/ 1 PHASE	
MAX FUSE SIZE	15 AMPS		15 AMPS	
TOTAL RATED CURRENT AMPS.	7.15		7.15	
SUPPLY AIR OUTLET SIZE (W-IN X D-IN)	12" X 12"		12" X 12"	
NOMINAL HEAT ANTICIPATOR SETTING	0.8mA		0.8mA	
	ACCESSORY ITEMS			
MOBILE HOME BASE	70-BASE		70-BASE	
COTTAGE BASE	01COT-BASE		01COT-BASE	
COIL CABINET FOR 2-3.5 TON	CE111S		CE111S	
EVAPORATOR COIL 2 - 3 TON	HE33636UA170		HE33636UA170	
EVAPORATOR COIL 3.5 TON	M60E34948UA180		M60E34948UA180	
CONCENTRIC VENT KIT (FOR 4" FLUE RJ)	AOPS7483		AOPS7483	
CONCENTRIC VENT KIT (FOR 5" FLUE RJ)	AOPS7544		AOPS7544	
DUAL PIPE FLASHING KIT	AOPS7484		AOPS7484	
BAYVENT SIDE WALL VENT KIT	370191		370191	
SLOPE ADAPTER 2-1/2 / 12	TSA-25		TSA-25	
SLOPE ADAPTER 3-1/2 / 12	TSA-30		TSA-30	
MINI CONDENSATE PUMP KIT	AOPS7614		AOPS7614	
NEUTRALIZING KIT	320095		320095	

¹ OUTPUT BTUH BASED ON ANNUAL FUEL UTILIZATION EFFICIENCY RATED BY MANUFACTURER.

² SEASONAL EFFICIENCY (ALSO CALLED AFUE-ANNUAL FUEL UTILIZATION EFFICIENCY) RATINGS ARE BASED ON TEST FOLLOWING U.S. DEPARTMENT OF ENERGY TEST PROCEDURES.

³ TO PERMIT LARGEST RECOMMENDED AIR CONDITIONING (AT .5 STATIC PRESSURE), SELECTION OF THE HIGHEST MOTOR SPEED IS REQUIRED. BASED ON 350 CFM/TON.

- SEE NEXT PAGE FOR MORE DATA -

GAS FIRED CONDENSING MOBILE HOME FURNACE SPECIFICATIONS

MODEL NO.	CMC2-50D36 (DV3)		CMC2-75D36 (DV3)	
HEAT INPUT RATE (BTUH)	50,000		75,000	
OUTPUT (BTUH) ¹	48,000		72,000	
SEASONAL EFFICIENCY ²	95%		95%	
LARGEST REC A/C ³	3.5 TONS		3.5 TONS	
FUEL	NAT	LP	NAT	LP
BURNER ORIFICE	#42	#54	#42	#54
GAS SUPPLY PRESSURE (IN W.G.)				
MINIMUM REQUIRED	4.5	11	4.5	11
MAXIMUM ALLOWED	14	14	14	14
GAS MANIFOLD PRESSURE (IN W.G.)	3.5±0.3	10±0.3	3.5±0.3	10±0.3
NOMINAL TEMP. RISE	55°		65°	
VENT PIPE SIZE (IN.)	2" PVC		2" PVC	
CASING HEIGHT (IN.)	76 1/8"		76 1/8"	
CASING WIDTH (IN.)	18 3/4"		18 3/4"	
CASING DEPTH (IN.)	25 3/4"		25 3/4"	
APPROX. SHIPPING WEIGHT (LBS.)	195 LBS.		205 LBS.	
APPROVAL AGENCY	ETL		ETL	
SIZE OF PERM. FILTER	18" X 24"		18" X 24"	
ELECTRICAL REQUIREMENTS	115 VAC/ 60 HZ/ 1 PHASE		115 VAC/ 60 HZ/ 1 PHASE	
MAX FUSE SIZE	15 AMPS		15 AMPS	
TOTAL RATED CURRENT AMPS.	7.15		7.15	
SUPPLY AIR OUTLET SIZE (W-IN X D-IN)	12" X 12"		12" X 12"	
NOMINAL HEAT ANTICIPATOR SETTING	0.8mA		0.8mA	
	ACCESSORY ITEMS			
CONCENTRIC VENT KIT (FOR 4" FLUE RJ)	AOPS7483		AOPS7483	
CONCENTRIC VENT KIT (FOR 5" FLUE RJ)	AOPS7544		AOPS7544	
DUAL PIPE FLASHING KIT	AOPS7484		AOPS7484	
BAYVENT SIDE WALL VENT KIT	370191		370191	
SLOPE ADAPTER 2-1/2 / 12	TSA-25		TSA-25	
SLOPE ADAPTER 3-1/2 / 12	TSA-30		TSA-30	
MINI CONDENSATE PUMP KIT	AOPS7614		AOPS7614	
NEUTRALIZING KIT	320095		320095	
EVAPORATOR COIL 2 - 3 TON	HE33636UA170		HE33636UA170	
EVAPORATOR COIL 3.5 TON	M60E34948UA180		M60E34948UA180	

¹ OUTPUT BTUH BASED ON ANNUAL FUEL UTILIZATION EFFICIENCY RATED BY MANUFACTURER.

² SEASONAL EFFICIENCY (ALSO CALLED AFUE-ANNUAL FUEL UTILIZATION EFFICIENCY) RATINGS ARE BASED ON TEST FOLLOWING U.S. DEPARTMENT OF ENERGY TEST PROCEDURES.

³ TO PERMIT LARGEST RECOMMENDED AIR CONDITIONING (AT .5 STATIC PRESSURE), SELECTION OF THE HIGHEST MOTOR SPEED IS REQUIRED. BASED ON 350 CFM/TON.

- SEE NEXT PAGE FOR MORE DATA -

GAS FIRED CONDENSING MOBILE HOME FURNACE SPECIFICATIONS

MODEL NUMBER DIGIT	1	2	3	4	5	6	7	8	9		10
	FUEL	MOBILE HOME	VERSION	VERSION		INPUT		BLOWER TYPE	CLG. AIRFLOW CAP.		GAS TYPE
GAS FURNACE MODEL NOMENCLATURE EXAMPLE MODEL NUMBERS	C	M	A	4	-	5	0	D	3	6	N
	C	M	A	4	-	7	5	D	3	6	N
	C	M	C	2	-	5	0	D	3	6	N
	C	M	C	2	-	5	0	D	V	3	N
	C	M	C	2	-	7	5	D	3	6	N
	C	M	C	2	-	7	5	D	V	3	N
C=CONDENSING	C										
M= MOBILE HOME		M									
VERSION			A								
VERSION				4							
					-						
INPUT IN MBTUH (1000'S)						7	5				
BLOWER TYPE D=DIRECT DRIVE								D			
CLG. AIRFLOW CAP. IN 1,000BTU; V=ECM, TONS									3	6	
N= NATURAL GAS L= LIQUID PROPANE											N

- SEE NEXT PAGE FOR MORE DATA -

GAS FIRED CONDENSING MOBILE HOME FURNACE SPECIFICATIONS

CLEARANCES TO COMBUSTIBLES

MODELS: ALL MODELS	CLOSET	ALCOVE
FRONT	6"	18"
BACK	0"	0"
SIDES	0"	0"
VENT CONNECTOR (PVC)	0"	0"
TOP	0"	0"
PLENUM SIDES	1"	1"
TOP AND SIDES OF DUCT	1"	1"
BOTTOM DUCT	1"	1"

BLOWER DATA

FURNACE MODEL	CMA4-50D36 CMC2-50D36	CMA4-75D36 CMC2-75D36	CMC2-50DV3	CMC2-75DV3
BLOWER MODEL	12-9T	12-9T	12-9T	12-9T
MOTOR H.P.	½ HP	½ HP	½ HP	½ HP
NO. OF SPEEDS	4 (PSC)	4 (PSC)	5 (CTM)	5 (CTM)
HIGH SPEED AIRFLOW (SCFM) @ 0.5 IN. W.G. EXTERNAL STATIC PRESSURE	1162	1259	1265	1177
DIAMETER X WIDTH	12 X 9	12 X 9	12 X 9	12 X 9

- SEE NEXT PAGE FOR MORE DATA -

GAS FIRED CONDENSING MOBILE HOME FURNACE SPECIFICATIONS

CMA4-50D36 / CMC2-50D36

ALTERATIONS REQ'D FOR A/C @ DESIGN EXTERNAL STATIC PRESSURE		
COOLING UNIT	HTG Speed	Recommended CLG Speed
24,000	LOW	LOW
30,000	LOW	MED-LOW
36,000	LOW	MED-HIGH
42,000	LOW	HIGH

Speed Tap \ Static Pressure	Furnace Airflow (CFM) vs. External Static pressure (in. WC.)						
	0.1	0.2	0.3	0.4	0.5	0.6	0.7
Low	836	805	773	743	695	620	566
ML	1044	1010	972	914	860	826	752
MH	1250	1196	1146	1101	1038	977	902
High	1339	1338	1283	1233	1162	1086	1008

Speed Tap \ Static Pressure	Temperature Rise vs. External Static Pressure (in. WC.)						
	0.1	0.2	0.3	0.4	0.5	0.6	0.7
Low	53	55	57	59	63	71	78
ML	42	44	45	48	51	53	59
MH	35	37	38	40	42	45	49
High	31	33	34	36	38	41	44

Speed Tap \ Static Pressure	Blower Motor Current Draw (Amps) vs. External Static pressure (in. WC.)						
	0.1	0.2	0.3	0.4	0.5	0.6	0.7
Low	3.3	3.2	3.1	3.0	2.9	2.7	2.6
ML	4.0	3.8	3.6	3.5	3.4	3.2	3.1
MH	4.6	4.4	4.2	4.1	4.0	3.8	3.6
High	5.3	5.1	5.0	4.9	4.7	4.6	4.4

Speed Tap \ Static Pressure	Blower Motor Watts vs. External Static pressure (in. WC.)						
	0.1	0.2	0.3	0.4	0.5	0.6	0.7
Low	315	311	304	300	292	281	275
ML	400	390	376	363	351	342	330
MH	485	467	452	441	427	412	394
High	573	555	544	530	513	493	477

= Recommended operation range

- SEE NEXT PAGE FOR MORE DATA -

GAS FIRED CONDENSING MOBILE HOME FURNACE SPECIFICATIONS

CMA4-75D36 / CMC2-75D36

ALTERATIONS REQ'D FOR A/C @ DESIGN EXTERNAL STATIC PRESSURE		
COOLING UNIT	HTG Speed	Recommended CLG Speed
24,000	MED-LOW	MED-LOW
30,000	MED-LOW	MED-LOW
36,000	MED-LOW	MED-HIGH
42,000	MED-LOW	HIGH

Speed Tap \ Static Pressure	Furnace Airflow (CFM) vs. External Static pressure (in. WC.)						
	0.1	0.2	0.3	0.4	0.5	0.6	0.7
Low	817	797	773	730	668	620	555
ML	1019	995	959	918	869	821	760
MH	1257	1210	1174	1125	1076	1024	959
High	1470	1420	1366	1312	1259	1196	1127

Speed Tap \ Static Pressure	Temperature Rise vs. External Static Pressure (in. WC.)						
	0.1	0.2	0.3	0.4	0.5	0.6	0.7
Low	81	83	85	90	90	106	119
ML	65	66	69	72	76	80	87
MH	52	55	56	59	61	64	69
High	45	46	48	50	52	55	59

Speed Tap \ Static Pressure	Blower Motor Current Draw (Amps) vs. External Static pressure (in. WC.)						
	0.1	0.2	0.3	0.4	0.5	0.6	0.7
Low	3.1	3.0	2.9	2.8	2.7	2.6	2.5
ML	3.9	3.8	3.6	3.5	3.3	3.2	3.1
MH	4.8	4.6	4.4	4.2	4.1	4.0	3.8
High	5.7	5.5	5.4	5.2	5.1	5.0	4.8

Speed Tap \ Static Pressure	Blower Motor Watts vs. External Static pressure (in. WC.)						
	0.1	0.2	0.3	0.4	0.5	0.6	0.7
Low	312	303	298	291	280	273	264
ML	400	390	381	366	354	342	330
MH	513	490	478	462	447	432	413
High	624	605	591	573	556	542	522

= Recommended operation range

- SEE NEXT PAGE FOR MORE DATA -

GAS FIRED CONDENSING MOBILE HOME FURNACE SPECIFICATIONS

CMC2-50DV3

ALTERATIONS REQ'D FOR A/C @ DESIGN EXTERNAL STATIC PRESSURE		
COOLING UNIT	HTG Speed	Recommended CLG Speed
24,000	MED-LOW	MED
30,000	MED-LOW	MED-HIGH
36,000	MED-LOW	MED-HIGH
42,000	MED-LOW	HIGH

Speed Tap \ Static Pressure	Furnace Airflow (CFM) vs. External Static pressure (in. WC.)						
	0.1	0.2	0.3	0.4	0.5	0.6	0.7
Low	700	639	567	497	437	387	332
ML	876	834	781	725	653	602	556
MED	990	948	907	857	811	756	700
MH	1174	1145	1107	1066	1026	987	942
High	1398	1365	1326	1299	1265	1252	1190

Speed Tap \ Static Pressure	Temperature Rise vs. External Static Pressure (in. WC.)						
	0.1	0.2	0.3	0.4	0.5	0.6	0.7
Low	63	69	78	88	101	114	132
ML	50	53	56	61	67	73	79
MED	44	46	48	51	54	58	63
MH	37	38	40	41	43	45	47
High	31	32	33	34	35	35	37

Speed Tap \ Static Pressure	Blower Motor Current Draw (Amps) vs. External Static pressure (in. WC.)						
	0.1	0.2	0.3	0.4	0.5	0.6	0.7
Low	1.1	1.1	1.2	1.2	1.2	1.3	1.4
ML	1.7	1.7	1.8	1.8	1.9	1.9	2.0
MED	2.2	2.2	2.3	2.4	2.5	2.5	2.5
MH	3.4	3.4	3.4	3.5	3.6	3.6	3.7
High	5.2	5.2	5.2	5.3	5.3	5.4	5.5

Speed Tap \ Static Pressure	Blower Motor Watts vs. External Static pressure (in. WC.)						
	0.1	0.2	0.3	0.4	0.5	0.6	0.7
Low	72	77	81	84	87	91	95
ML	123	127	133	137	141	145	148
MED	168	173	178	183	188	192	197
MH	266	272	277	284	290	296	301
High	438	442	445	450	455	461	468

= Recommended operation range

- SEE NEXT PAGE FOR MORE DATA -

GAS FIRED CONDENSING MOBILE HOME FURNACE SPECIFICATIONS

CMC2-75DV3

ALTERATIONS REQ'D FOR A/C @ DESIGN EXTERNAL STATIC PRESSURE		
COOLING UNIT	HTG Speed	Recommended CLG Speed
24,000	MED-LOW	LOW
30,000	MED-LOW	MED-LOW
36,000	MED-LOW	MED-HIGH
42,000	MED-LOW	HIGH

Speed Tap \ Static Pressure	Furnace Airflow (CFM) vs. External Static pressure (in. WC.)						
	0.1	0.2	0.3	0.4	0.5	0.6	0.7
Low	970	935	898	846	802	765	710
ML	1043	998	968	928	880	830	785
MED	1148	1113	1080	1051	1007	968	929
MH	1212	1177	1142	1119	1083	1047	1023
High	1300	1272	1229	1211	1177	1144	1117

Speed Tap \ Static Pressure	Temperature Rise vs. External Static Pressure (in. WC.)						
	0.1	0.2	0.3	0.4	0.5	0.6	0.7
Low	75	78	81	86	91	96	103
ML	70	73	76	79	83	88	93
MED	64	66	68	70	73	76	79
MH	60	62	64	65	67	70	71
High	56	57	59	60	62	64	65

Speed Tap \ Static Pressure	Blower Motor Current Draw (Amps) vs. External Static pressure (in. WC.)						
	0.1	0.2	0.3	0.4	0.5	0.6	0.7
Low	2.4	2.5	2.5	2.6	2.6	2.7	2.7
ML	2.8	2.9	3.0	3.0	3.1	3.1	3.2
MED	3.6	3.7	3.7	3.8	3.8	3.9	3.9
MH	4.2	4.2	4.3	4.3	4.4	4.5	4.5
High	4.8	4.9	5.0	5.0	5.1	5.2	5.2

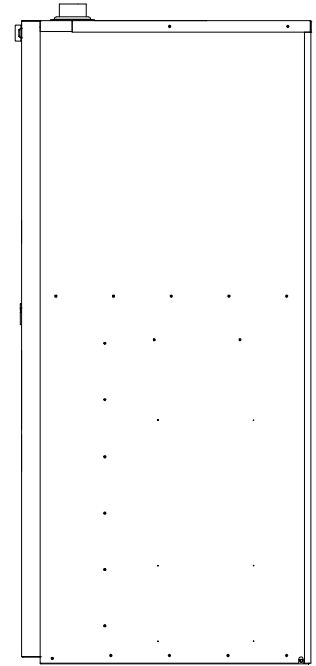
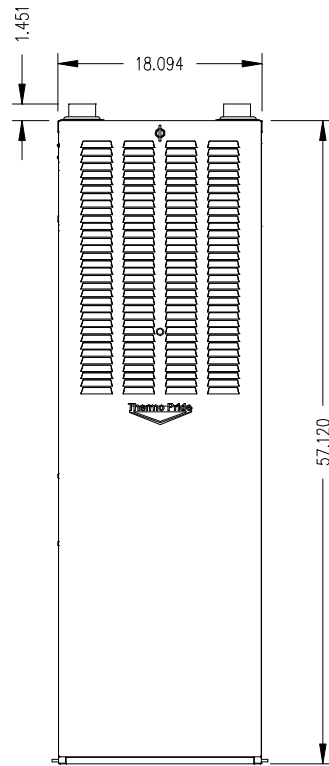
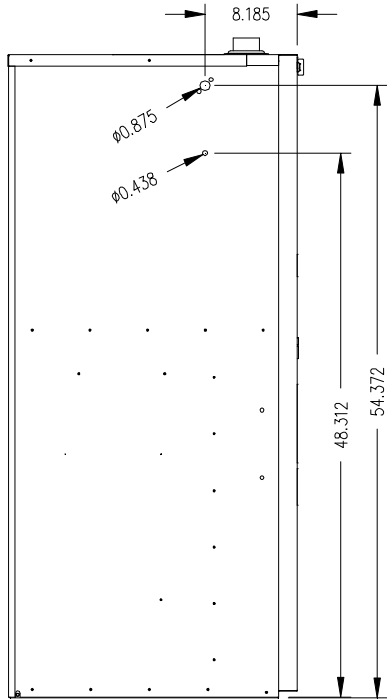
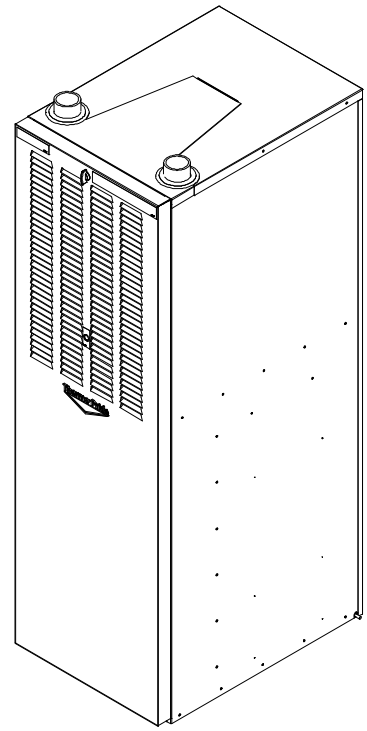
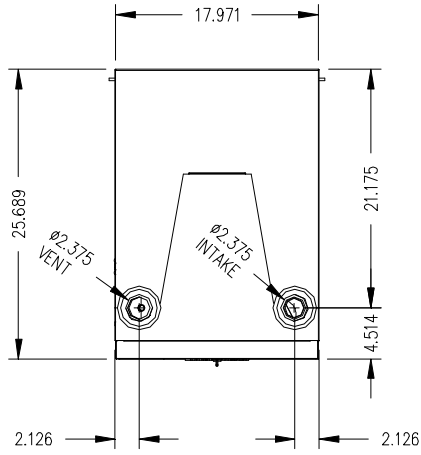
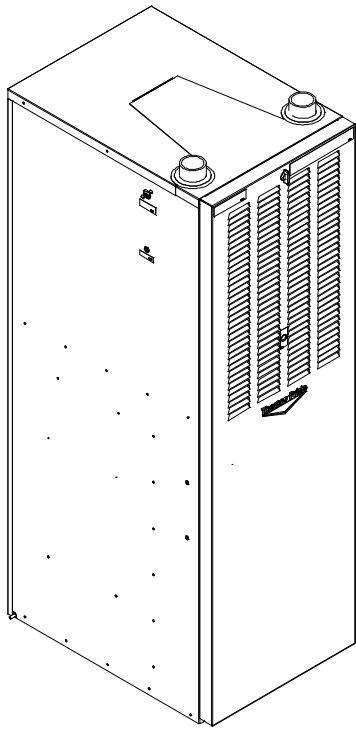
Speed Tap \ Static Pressure	Blower Motor Watts vs. External Static pressure (in. WC.)						
	0.1	0.2	0.3	0.4	0.5	0.6	0.7
Low	187	190	195	200	204	206	211
ML	225	229	233	238	244	248	252
MED	290	295	299	303	310	315	320
MH	341	347	353	356	364	369	371
High	408	414	423	428	435	441	445



= Recommended operation range

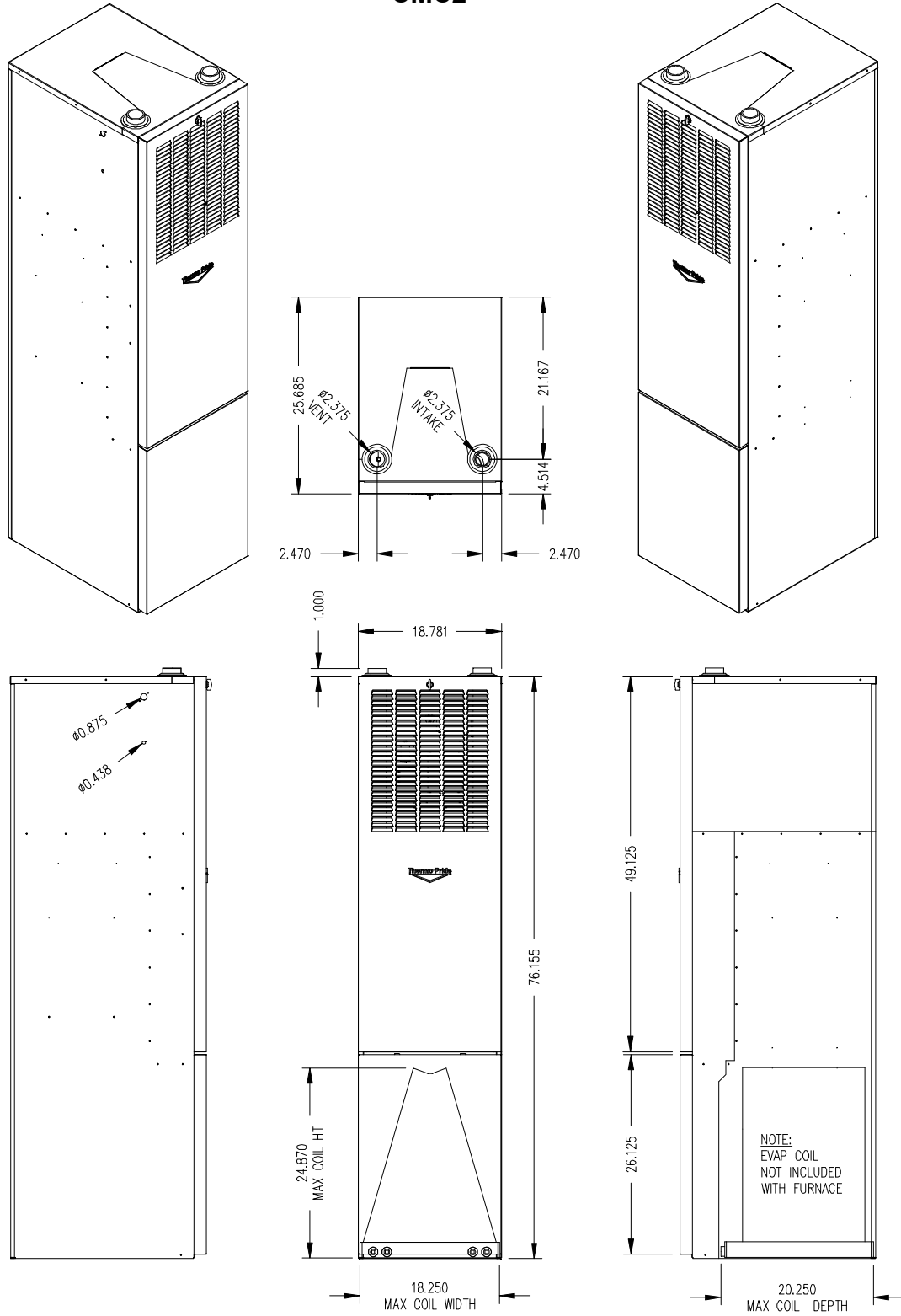
- SEE NEXT PAGE FOR MORE DATA -

GAS FIRED CONDENSING MOBILE HOME FURNACE SPECIFICATIONS CMA4



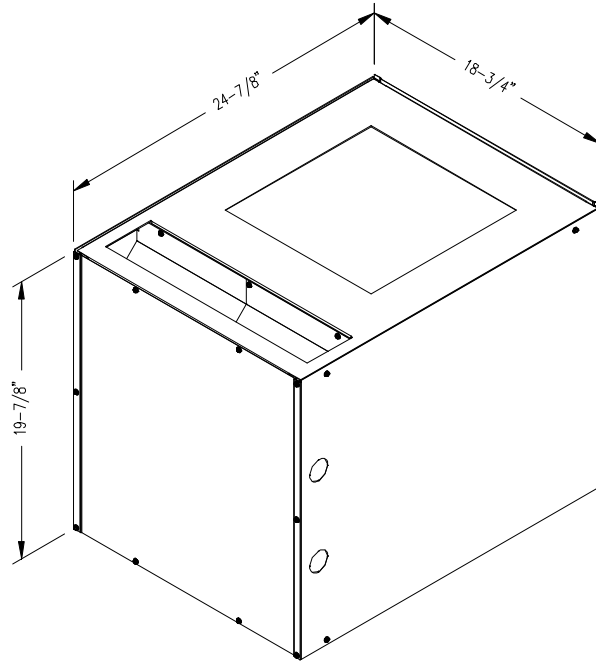
- SEE NEXT PAGE FOR MORE DATA -

GAS FIRED CONDENSING MOBILE HOME FURNACE SPECIFICATIONS CMC2

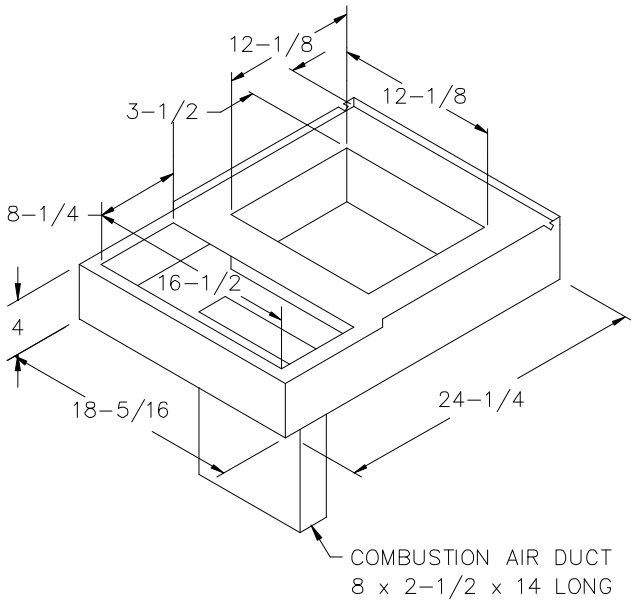


- SEE NEXT PAGE FOR MORE DATA -

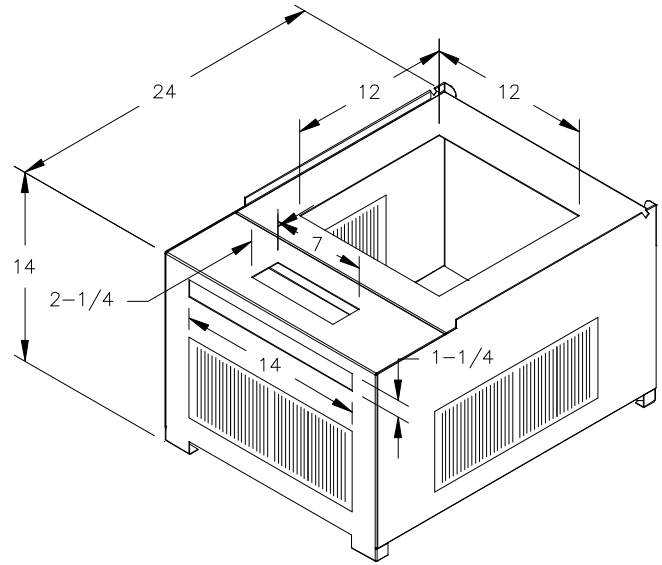
**GAS FIRED CONDENSING MOBILE HOME FURNACE SPECIFICATIONS
(FOR USE WITH CMA4 MODELS ONLY)**



Coil Cabinet Model: CE111S



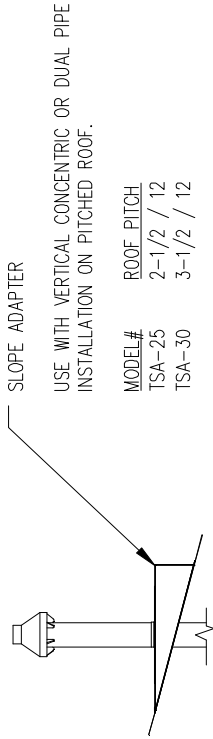
Combustible Floor Base Model: 70-BASE



Cottage Base Model: 01COT-BASE

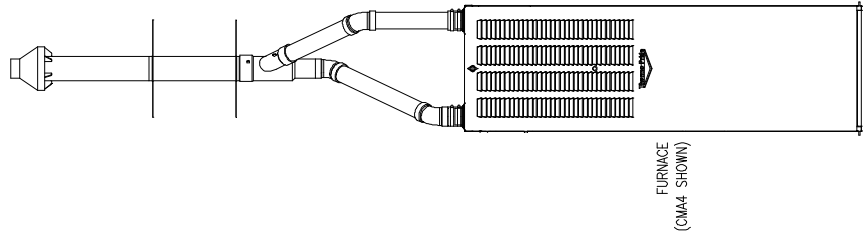
- SEE NEXT PAGE FOR MORE DATA -

GAS FIRED CONDENSING MOBILE HOME FURNACE SPECIFICATIONS CMA4 / CMC2 VENT OPTIONS

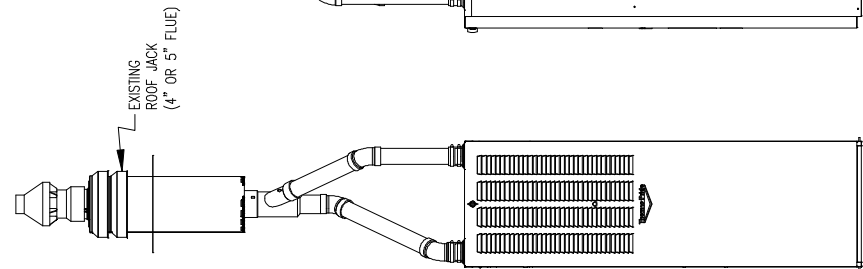


MODEL#
TSA-25
TSA-30

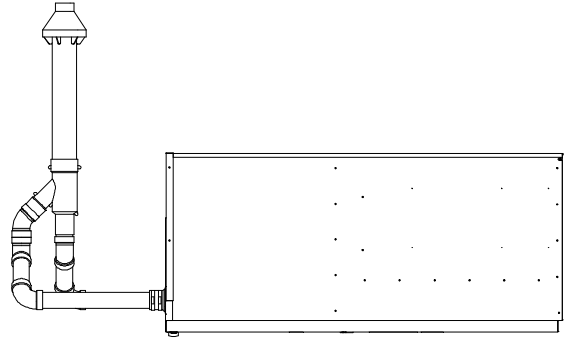
ROOF PITCH
2-1/2 / 12
3-1/2 / 12



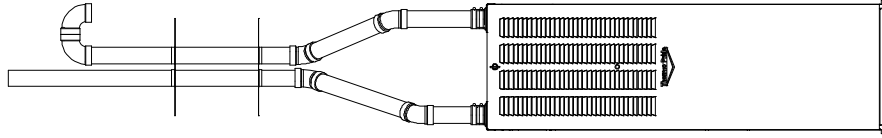
(VERTICAL)



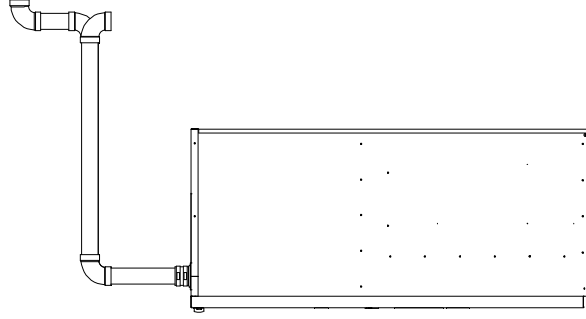
(ROOF JACK RETROFIT)



(HORIZONTAL)



(VERTICAL DUAL PIPE)



(HORIZONTAL DUAL PIPE)

DUAL PIPE FLASHING KIT# AOPF7484

FIELD SUPPLIED COMPONENTS

CONCENTRIC VENT KIT#
AOPS7483 (4" FLUE ROOF JACK)
AOPS7544 (5" FLUE ROOF JACK)