



SINGLE STAGE CONDENSING GAS QUADPOISE FURNACE SPECIFICATIONS

MODEL NO.	CLQS1-050T36N	CLQS1-075T42N	CLQS1-100T48N	CLQS1-125T60N
FUEL	GAS NAT/LP ⁴	GAS NAT/LP ⁴	GAS NAT/LP ⁴	GAS NAT/LP ⁴
INPUT BTUH	50,000	75,000	100,000	125,000
OUTPUT BTUH ¹	48,000	73,000	96,000	120,000
SEASONAL EFFICIENCY ²	95.0%	95.0%	95.0%	95.0%
LARGEST REC A/C ³	3 T	3.5 T	4 T	5 T
NOMINAL TEMP RISE	60°	60°	60°	60°
APPROX EFFECTIVE HEATING SURFACE	4225 SQ IN.	4490 SQ IN.	5550 SQ IN.	5815 SQ IN.
APPROX SHIPPING WEIGHT	155 LBS	166 LBS	183 LBS	196 LBS
APPROVAL AGENCY	ETL	ETL	ETL	ETL
DIA OF FLUE (PVC)	2"	2"	3"	3"
DIA OF COMBUSTION AIRINTAKE (PVC)	2"	2"	3"	3"
SUPPLY AIR OUTLET SIZE (W-IN x D-IN)	16-1/2" x 20" (20"x20") ⁵	20" x 20"	20" x 20"	20" x 20"
RETURN AIR DUCTWORK CONNECTION ON FILTER RACK (D-IN x H-IN)	24-1/2" x 15"	24-1/2" x 15"	24-1/2" x 15"	23-3/4" x 19"
CASING (TO BE CUTOUT BY DEALER) (D-IN x H-IN)	23-1/8" x 14-1/8"	23-1/8" x 14-1/8"	23-1/8" x 14-1/8"	23-1/8" x 14-1/8"
QTY AND SIZE OF PERMANENT FILTERS	ONE 1" x 25" x 16"	ONE 1" x 25" x 16"	ONE 1" x 25" x 16"	ONE 1" x 25" x 20"
ELECTRICAL RATING	115V 60HZ 1PH	115V 60HZ 1PH	115V 60HZ 1PH	115V 60HZ 1PH
MAX FUSE SIZE	15 AMP	15 AMP	15 AMP	15 AMP
ACCESSORY ITEMS				
COMBUSTIBLE FLOOR BASE	50CLQ-BASE	125CLQ-BASE	125CLQ-BASE	125CLQ-BASE
CE COIL CABINET	CE215T	CE216T	CE216T	CE217T
FILTER RACK	AOPS7547	AOPS7547	AOPS7547	AOPS7375
CONCENTRIC VENT KIT	AOPS7488	AOPS7488	AOPS7489	AOPS7489
SIDEWALL VENT CAP	370191	370191	370191	370191
NEUTRALIZER KIT	320095	320095	320095	320095
CONDENSATE PUMP	350224	350224	350224	350224
SUPPLY PLENUM	PK164X202	PK202X202	PK202X202	PK202X202
RETURN AIR DROP	RD2510X2516	RD2510X2516	RD2510X2516	RD2512X2520
FURNACE PARTS KIT	AOPS7768	AOPS7768	AOPS7768	AOPS7768

¹ OUTPUT BTUH BASED ON AHRI LISTING.

² SEASONAL EFFICIENCY (ALSO CALLED AFUE - ANNUAL FUEL UTILIZATION EFFICIENCY) RATINGS ARE BASED ON TESTS FOLLOWING U.S. DEPARTMENT OF ENERGY TEST PROCEDURES.

³ TO PERMIT LARGEST RECOMMENDED AIR CONDITIONING (AT .5 STATIC PRESSURE), SELECTION OF THE HIGHEST MOTOR SPEED IS REQUIRED.

⁴ LP CONVERSION KIT SHIPPED WITH FURNACE.

⁵ PLENUM ADAPTERS INCLUDED WITH UNIT MUST BE INSTALLED FOR 20"x20" PLENUM.

ALL SPECIFICATIONS ARE SUBJECT TO CHANGE WITHOUT NOTICE.

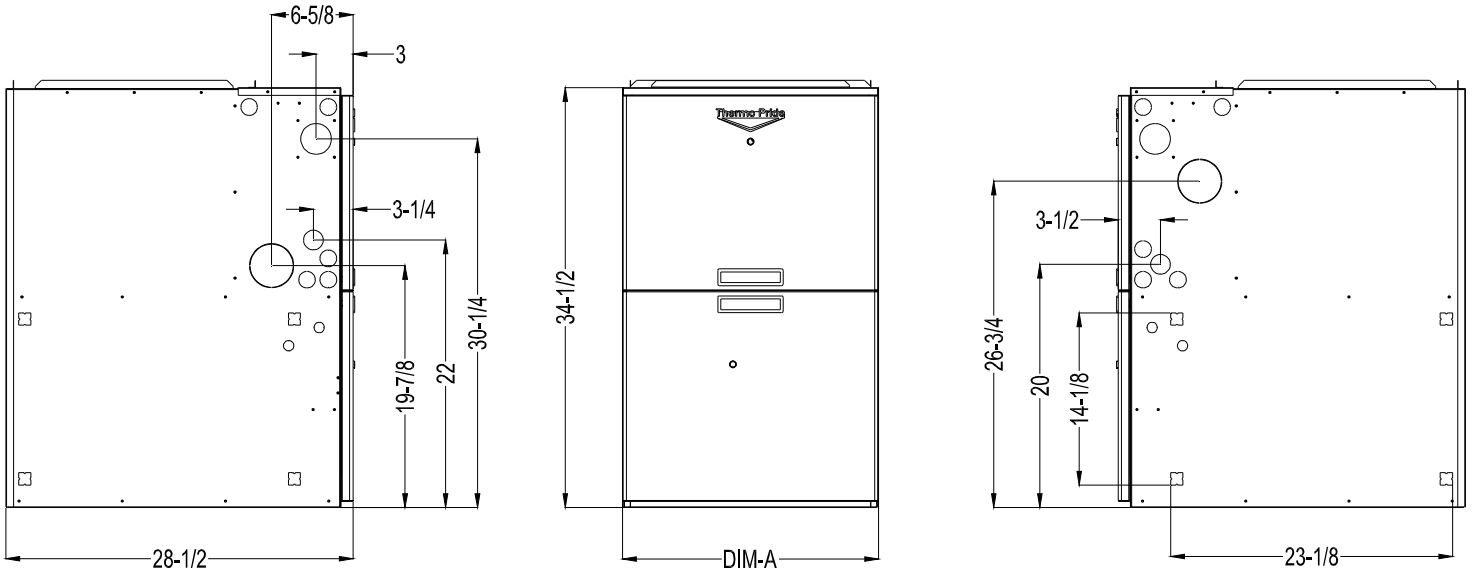
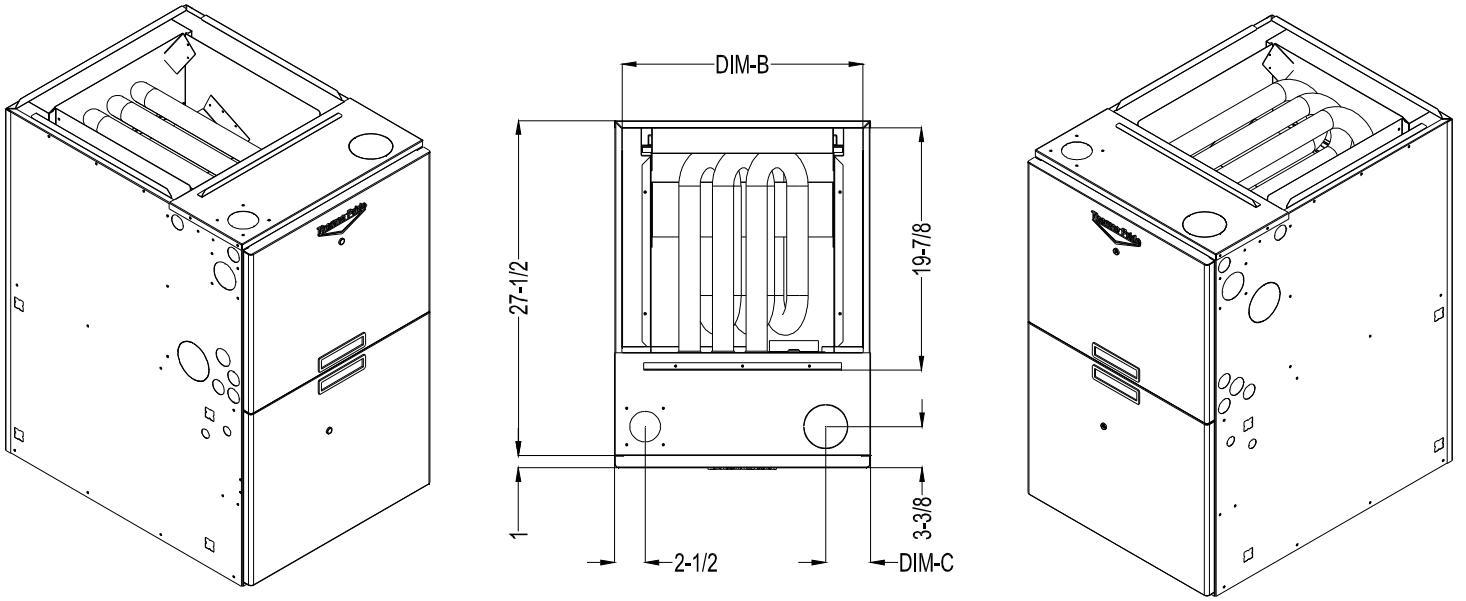
SEE NEXT PAGE FOR MORE DATA -

SINGLE STAGE CONDENSING GAS QUADPOISE FURNACE SPECIFICATIONS

Model Number Digit	1	2	3	4	5	6	7	8	9	10	11	12	13
	Category	Profile	Configuration	Staging	Version		Input	Input	Input	Motor Type	Clg Airflow Cap	Clg Airflow Cap	Gas Type
Gas Furnace Model Nomenclature Example Model Numbers	C	L	Q	S	1	-	0	7	5	T	4	2	N
C = Condensing	C												
L = Low-profile		L											
Q = Quadpoise			Q										
Stage: S = Single				S									
Version (Rev)					1								
Input Capacity in MBTUH (1000)						-	0	7	5				
Motor Type: T = CTM										T			
Cooling Airflow Capacity in MBTUH (1000)											4	2	
Gas Type: N = Natural, P = Liquid Propane													N

SEE NEXT PAGE FOR MORE DATA -

SINGLE STAGE CONDENSING GAS QUADPOISE FURNACE SPECIFICATIONS

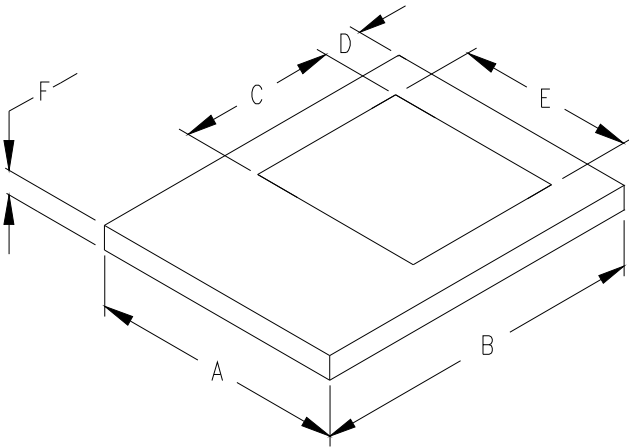


DIM/UNIT	-050	-075	-100	-125
A	17-1/2	21	21	24-1/2
B	16-3/8	19-7/8	19-7/8	19-7/8
C	2-1/8	3-3/4	2-1/8	3-3/4

SEE NEXT PAGE FOR MORE DATA -

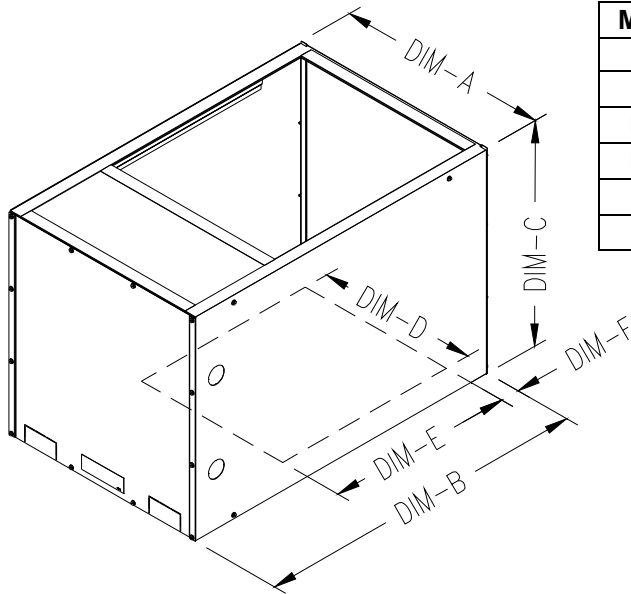
SINGLE STAGE CONDENSING GAS QUADPOISE FURNACE SPECIFICATIONS

COMBUSTIBLE FLOOR BASE



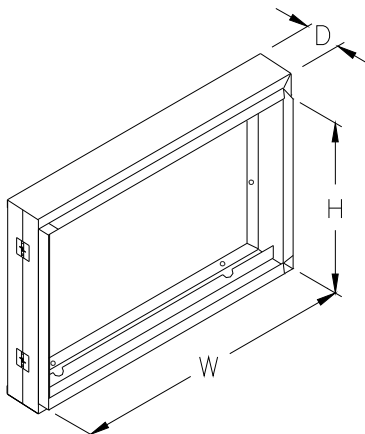
MODEL	50CLQ-BASE	125CLQ-BASE
DIM - A	20-1/2"	24-1/2"
DIM - B	30"	30"
DIM - C	20"	20"
DIM - D	2"	2"
DIM - E	16-3/8"	19-7/8"
DIM - F	2"	2"

CE COIL CABINET



MODEL	CE215T	CE216T	CE217T
DIM - A	17-3/4"	21-1/4"	24-3/4"
DIM - B	27-7/8"	27-7/8"	27-7/8"
DIM - C	18-1/2"	28-1/2"	28-1/2"
DIM - D	14"	16"	16"
DIM - E	16-1/2"	16-1/2"	16-1/2"
DIM-F	1-1/2"	1-1/2"	1-1/2"

FILTER RACK SPECIFICATIONS



FILTER RACK DIMENSIONS			
MODELS	RETURN AIR PLENUM FLANGE		DEPTH OF RACK
	H	W	D
AOPS7547	15"	24-1/2"	2-1/8"
AOPS7375	19"	23-3/4"	6-1/8"

SEE NEXT PAGE FOR MORE DATA -

BLOWER DATA:	CLQS1-050T36N	CLQS1-075T42N	CLQS1-100T48N	CLQS1-125T60N
BLOWER MODEL (DIRECT DRIVE)	10-9R	10-10R	10-10R	12-11T
MOTOR H.P. (CTM)	1/2 - 5SP	1/2 - 5SP	3/4 - 5SP	3/4 - 5SP

BURNER DATA				
BURNER TYPE	INSHOT	INSHOT	INSHOT	INSHOT
NO. PER UNIT	2	3	4	5
MAX INLET PRESSURE (NAT)	14" WC	14" WC	14" WC	14" WC
MIN INLET PRESSURE (NAT)	4.5" WC	4.5" WC	4.5" WC	4.5" WC
MAX INLET PRESSURE (LP)	14" WC	14" WC	14" WC	14" WC
MIN INLET PRESSURE (LP)	11" WC	11" WC	11" WC	11" WC
NORMAL MANIFOLD PRESS (NAT)	3.5" WC	3.5" WC	3.5" WC	3.5" WC
NORMAL MANIFOLD PRESS (LP)	10.0" WC	10.0" WC	10.0" WC	10.0" WC
ORIFICE SIZE DIA. (D.M.S) (NAT.)	0.0935" (#42)	0.0935" (#42)	0.0935" (#42)	0.0935" (#42)
(L.P.)	0.055" (#54)	0.055" (#54)	0.055" (#54)	0.055" (#54)

CLEARANCES			
	MINIMUM CLEARANCES TO COMBUSTIBLE MATERIALS		
	UPFLOW	DOWNFLOW	HORIZONTAL
CABINET TOP	1 IN	0 IN	0 IN
CABINET SIDES	0 IN	0 IN	1 IN
CABINET BACK	0 IN	0 IN	0 IN
CABINET BOTTOM	0 IN	NON-COMBUSTIBLE BASE REQUIRED	0 IN
CABINET FRONT	6 IN	6 IN	6 IN
PLENUM TOP	1 IN	0 IN	5/8 IN
PLENUM SIDES	5/8 IN	5/8 IN	1 IN
PLENUM BACK	5/8 IN	5/8 IN	5/8 IN
PLENUM BOTTOM	0 IN	1 IN	5/8 IN
PLENUM FRONT	5/8 IN	5/8 IN	5/8 IN
VENT	0 IN	0 IN	0 IN

SEE NEXT PAGE FOR MORE DATA -

SINGLE STAGE CONDENSING GAS QUADPOISE FURNACE SPECIFICATIONS

CLQS1-050T36N

Alterations Req'd For A/C @ Design External Static Pressure		
Cooling Unit	HTG Speed	Recommended CLG Speed
18,000	Low (Red)	Med Low (Purple)
24,000	Low (Red)	Med (Blue)
30,000	Low (Red)	Med High (Yellow)
36,000	Low (Red)	High (Black)

Temperature Rise
(°F)

Speed Tap	External Static Pressure (in WC)						
	0.1	0.2	0.3	0.4	0.5	0.6	0.7
Low (Red)	58	65	74	86	105	137	206
Med Low (Purple)	49	53	58	63	72	81	95
Med (Blue)	42	45	48	52	55	61	68
Med High (Yellow)	36	38	39	42	44	47	49
High (Black)	31	32	33	35	37	38	40

Airflow (CFM)

Speed Tap	External Static Pressure (in WC)						
	0.1	0.2	0.3	0.4	0.5	0.6	0.7
Low (Red)	758	672	598	511	420	322	213
Med Low (Purple)	905	827	761	698	610	546	461
Med (Blue)	1046	987	908	851	797	716	644
Med High (Yellow)	1216	1167	1124	1048	1000	945	889
High (Black)	1404	1360	1322	1269	1193	1156	1110

Current (A)

Speed Tap	External Static Pressure (in WC)						
	0.1	0.2	0.3	0.4	0.5	0.6	0.7
Low (Red)	2.4	2.5	2.5	2.5	2.5	2.6	2.7
Med Low (Purple)	2.7	2.8	2.9	3.0	3.0	3.1	3.1
Med (Blue)	3.2	3.3	3.4	3.5	3.6	3.7	3.7
Med High (Yellow)	4.0	4.2	4.3	4.4	4.5	4.7	4.7
High (Black)	5.4	5.4	5.6	5.7	5.9	5.9	6.0

Power (W) *

Speed Tap	External Static Pressure (in WC)						
	0.1	0.2	0.3	0.4	0.5	0.6	0.7
Low (Red)	199	207	210	212	216	220	225
Med Low (Purple)	235	243	249	257	262	267	272
Med (Blue)	279	291	297	307	313	321	325
Med High (Yellow)	354	366	377	387	395	407	416
High (Black)	466	474	489	501	514	521	530

Note: Shading indicates recommended operating range for heating.

* Includes 130W to power controls.

SEE NEXT PAGE FOR MORE DATA -

SINGLE STAGE CONDENSING GAS QUADPOISE FURNACE SPECIFICATIONS

CLQS1-075T42N

Alterations Req'd For A/C @ Design External Static Pressure		
Cooling Unit	HTG Speed	Recommended CLG Speed
24,000	Med Low (Purple)	Low (Red)
30,000	Med Low (Purple)	Med Blue
36,000	Med Low (Purple)	Med High (Yellow)
42,000	Med Low (Purple)	High (Black)

Temperature Rise (°F)

Speed Tap	External Static Pressure (in WC)						
	0.1	0.2	0.3	0.4	0.5	0.6	0.7
Low (Red)	63	67	71	79	86	94	103
Med Low (Purple)	57	61	64	69	74	79	86
Med (Blue)	55	58	61	65	70	75	80
Med High (Yellow)	48	50	52	55	57	61	64
High (Black)	44	45	46	48	50	57	63

Airflow (CFM)

Speed Tap	External Static Pressure (in WC)						
	0.1	0.2	0.3	0.4	0.5	0.6	0.7
Low (Red)	1089	1025	967	869	800	733	670
Med Low (Purple)	1197	1133	1078	990	933	865	803
Med (Blue)	1251	1189	1122	1064	982	914	856
Med High (Yellow)	1424	1379	1314	1254	1210	1132	1075
High (Black)	1577	1531	1480	1432	1368	1214	1086

Current (A)

Speed Tap	External Static Pressure (in WC)						
	0.1	0.2	0.3	0.4	0.5	0.6	0.7
Low (Red)	3.6	3.6	3.7	3.8	3.9	3.9	4.0
Med Low (Purple)	4.1	4.2	4.3	4.4	4.5	4.5	4.6
Med (Blue)	4.3	4.4	4.5	4.6	4.7	4.8	4.8
Med High (Yellow)	5.4	5.5	5.6	5.7	5.8	6.0	6.0
High (Black)	6.7	6.7	6.9	7.0	7.1	6.5	6.0

Power (W) *

Speed Tap	External Static Pressure (in WC)						
	0.1	0.2	0.3	0.4	0.5	0.6	0.7
Low (Red)	317	324	331	342	347	353	358
Med Low (Purple)	364	374	381	393	400	406	412
Med (Blue)	387	397	405	415	425	432	438
Med High (Yellow)	496	507	516	526	536	549	557
High (Black)	621	632	645	655	660	606	568

Note: Shading indicates recommended operating range for heating.

* Includes 135W to power controls.

SEE NEXT PAGE FOR MORE DATA -

SINGLE STAGE CONDENSING GAS QUADPOISE FURNACE SPECIFICATIONS

CLQS1-100T48N

Alterations Req'd For A/C @ Design External Static Pressure		
Cooling Unit	HTG Speed	Recommended CLG Speed
30,000	Med (Blue)	Low (Red)
36,000	Med (Blue)	Med Low (Purple)
42,000	Med (Blue)	Med High (Yellow)
48,000	Med (Blue)	High (Black)

Temperature Rise (°F)

Speed Tap	External Static Pressure (in WC)						
	0.1	0.2	0.3	0.4	0.5	0.6	0.7
Low (Red)	71	75	79	84	90	100	109
Med Low (Purple)	62	65	68	72	74	79	83
Med (Blue)	60	62	66	69	72	75	79
Med High (Yellow)	55	56	58	61	63	66	68
High (Black)	49	50	51	53	57	61	67

Airflow (CFM)

Speed Tap	External Static Pressure (in WC)						
	0.1	0.2	0.3	0.4	0.5	0.6	0.7
Low (Red)	1239	1178	1107	1046	976	883	806
Med Low (Purple)	1414	1357	1295	1224	1186	1120	1062
Med (Blue)	1467	1416	1341	1276	1229	1177	1119
Med High (Yellow)	1601	1558	1505	1448	1391	1340	1301
High (Black)	1799	1762	1716	1646	1547	1438	1322

Current (A)

Speed Tap	External Static Pressure (in WC)						
	0.1	0.2	0.3	0.4	0.5	0.6	0.7
Low (Red)	3.9	4.1	4.2	4.3	4.4	4.5	4.5
Med Low (Purple)	4.8	4.9	5.1	5.2	5.2	5.3	5.5
Med (Blue)	5.1	5.2	5.4	5.5	5.6	5.6	5.8
Med High (Yellow)	6.0	6.1	6.3	6.4	6.5	6.6	6.7
High (Black)	7.3	7.5	7.7	7.9	7.6	7.3	6.9

Power (W) *

Speed Tap	External Static Pressure (in WC)						
	0.1	0.2	0.3	0.4	0.5	0.6	0.7
Low (Red)	328	341	351	359	370	379	386
Med Low (Purple)	406	422	434	446	452	464	477
Med (Blue)	434	451	464	473	483	490	502
Med High (Yellow)	523	540	557	569	579	589	597
High (Black)	655	668	689	712	683	656	612

Note: Shading indicates recommended operating range for heating.

* Includes 120W to power controls.

SEE NEXT PAGE FOR MORE DATA -

SINGLE STAGE CONDENSING GAS QUADPOISE FURNACE SPECIFICATIONS

CLQS1-125T60N

Alterations Req'd For A/C @ Design External Static Pressure		
Cooling Unit	HTG Speed	Recommended CLG Speed
36,000	Med High (Yellow)	Low (Red)
42,000	Med High (Yellow)	Med Low (Purple)
48,000	Med High (Yellow)	Med (Blue)
60,000	Med High (Yellow)	High (Black)

Temperature Rise (°F)

Speed Tap	External Static Pressure (in WC)						
	0.1	0.2	0.3	0.4	0.5	0.6	0.7
Low (Red)	73	76	81	86	93	99	106
Med Low (Purple)	68	71	74	78	83	87	93
Med (Blue)	62	64	67	70	73	77	81
Med High (Yellow)	59	61	63	65	68	71	75
High (Black)	53	54	55	57	58	60	63

Airflow (CFM)

Speed Tap	External Static Pressure (in WC)						
	0.1	0.2	0.3	0.4	0.5	0.6	0.7
Low (Red)	1512	1444	1365	1275	1180	1111	1038
Med Low (Purple)	1625	1553	1481	1414	1330	1263	1186
Med (Blue)	1767	1710	1649	1582	1513	1437	1359
Med High (Yellow)	1878	1813	1753	1685	1617	1544	1463
High (Black)	2093	2047	1988	1938	1882	1819	1745

Current (A)

Speed Tap	External Static Pressure (in WC)						
	0.1	0.2	0.3	0.4	0.5	0.6	0.7
Low (Red)	4.4	4.6	4.7	4.8	4.9	5.0	5.1
Med Low (Purple)	5.2	5.4	5.5	5.6	5.7	5.9	6.0
Med (Blue)	6.0	6.3	6.4	6.5	6.7	6.8	7.0
Med High (Yellow)	6.3	6.6	6.7	6.8	7.0	7.1	7.3
High (Black)	8.7	8.9	9.0	9.3	9.5	9.7	9.7

Power (W) *

Speed Tap	External Static Pressure (in WC)						
	0.1	0.2	0.3	0.4	0.5	0.6	0.7
Low (Red)	386	402	412	427	439	447	457
Med Low (Purple)	464	480	493	506	517	529	540
Med (Blue)	543	566	580	592	607	622	636
Med High (Yellow)	578	600	611	626	642	656	670
High (Black)	810	830	843	866	886	901	919

Note: Shading indicates recommended operating range for heating.

* Includes 135W to power controls.

SEE NEXT PAGE FOR MORE DATA -

A/C Evaporator Coil Applications

UPFLOW	Furnace Model Number	AC Tonnage	Line Set	Cond. Model Number	Coil Model Number	Capacity	EER	SEER	AHRI Reference Number
	UPFLOW	CLQS1-050	2	LS01E-30 LS01E-50	TC4B2421H	HE33636PA212	23000	12.20	14.00
HE47636PA212						23000	12.20	14.50	9136136
TC7B2421S					HE33636PA212	23600	12.50	15.00	9136145
					HE47636PA212	23600	13.00	16.00	9136146
2.5			LS01E-30 LS01E-50	TC4B3021H	HE33636PA212	29400	11.70	14.00	9136137
					HE47636PA212	29400	12.20	14.50	9136138
				TC7B3021S	HE33636PA212	28000	12.50	15.00	9136147
					HE47636PA212	28400	13.00	16.00	9136148
3			LS01E-30 LS01E-50	TC4B3621H	HE33636PA212	34400	11.70	14.00	9136139
					HE47636PA212	34600	12.20	14.50	9136140
				TC7B3621S	HE33636PA212	34800	12.20	15.00	9136149
					HE47636PA212	36000	13.00	16.00	9136150
CLQS1-075		2	LS01E-30 LS01E-50	TC4B2421H	HE33636PA212	23000	12.20	14.00	9136135
					HE47636PA212	23000	12.20	14.50	9136136
				TC7B2421S	HE33636PA212	23600	12.50	15.00	9136145
					HE47636PA212	23600	13.00	16.00	9136146
		2.5	LS01E-30 LS01E-50	TC4B3021H	HE33636PA212	29400	11.70	14.00	9136137
					HE47636PA212	29400	12.20	14.50	9136138
				TC7B3021S	HE33636PA212	28000	12.50	15.00	9136147
					HE47636PA212	28400	13.00	16.00	9136148
		3	LS01E-30 LS01E-50	TC4B3621H	HE33636PA212	34400	11.70	14.00	9136139
					HE47636PA212	34600	12.20	14.50	9136140
				TC7B3621S	HE33636PA212	34800	12.20	15.00	9136149
					HE47636PA212	36000	13.00	16.00	9136150
3.5	LS02E-30 LS02E-50	TC7B4221S	-	-	-	-	-		
			HE50660PA212	41500	13.00	16.00	9136152		
		-	-	-	-	-			
			-	-	-	-			
CLQS1-100	2.5	LS01E-30 LS01E-50	TC4B3021H	HE33636PA212	29400	11.70	14.00	9136137	
				HE47636PA212	29400	12.20	14.50	9136138	
			TC7B3021S	HE33636PA212	28000	12.50	15.00	9136147	
				HE47636PA212	28400	13.00	16.00	9136148	
	3	LS01E-30 LS01E-50	TC4B3621H	HE33636PA212	34400	11.70	14.00	9136139	
				HE47636PA212	34600	12.20	14.50	9136140	
			TC7B3621S	HE33636PA212	34800	12.20	15.00	9136149	
				HE47636PA212	36000	13.00	16.00	9136150	
	3.5	LS02E-30 LS02E-50	TC7B4221S	-	-	-	-	-	
				HE50660PA212	41500	13.00	16.00	9136152	
			-	-	-	-	-		
				-	-	-	-		
4	LS02E-30 LS02E-50	TC4B4821H	-	-	-	-	-		
			HE50660PA212	47500	12.20	14.50	9136144		
		TC7B4821S	-	-	-	-			
			HE50660PA212	45500	12.50	15.00	9136154		
CLQS1-125	3	LS01E-30 LS01E-50	TC4B3621H	HE33636PA212	34400	11.70	14.00	9136139	
				HE47636PA212	34600	12.20	14.50	9136140	
			TC7B3621S	HE33636PA212	34800	12.20	15.00	9136149	
				HE47636PA212	36000	13.00	16.00	9136150	
	3.5	LS02E-30 LS02E-50	TC7B4221S	-	-	-	-	-	
				HE50660PA212	41500	13.00	16.00	9136152	
			-	-	-	-	-		
				-	-	-	-		
	4	LS02E-30 LS02E-50	TC4B4821H	-	-	-	-	-	
				HE50660PA212	47500	12.20	14.50	9136144	
			TC7B4821S	-	-	-	-		
				HE50660PA212	45500	12.50	15.00	9136154	
5	1 1/8" ¹ 3/8"	TC4B6021S	-	-	-	-	-		
			HE50660PA212	56000	12.20	14.00	10156162		
		-	-	-	-	-			
			-	-	-	-			

¹ Adapter fitting must be field supplied to connect required 1-1/8" line set to 7/8" service valve connection.

SEE NEXT PAGE FOR MORE DATA -

A/C Evaporator Coil Applications

	Furnace Model Number	AC Tonnage	Line Set	Cond. Model Number	Coil Cabinet		Capacity	EER	SEER	AHRI Reference Number
					Coil Cabinet	Coil Model Number				
C O U N T E R F L O W	CLQS1-050	2	LS01E-30 LS01E-50	TC4B2421H	CE215T	HE33636UA170	23000	12.20	14.00	9136135
					-	-	-	-	-	-
		2.5	LS01E-30 LS01E-50	TC4B3021H	CE215T	HE33636UA170	29400	11.70	14.00	9136137
					-	-	-	-	-	-
		3	LS01E-30 LS01E-50	TC4B3621H	CE215T	HE33636UA170	34400	11.70	14.00	9136139
					-	-	-	-	-	-
	CLQS1-075	2	LS01E-30 LS01E-50	TC4B2421H	CE216T	HE33636UA200	23000	12.20	14.00	9136135
					CE216T	HE47636UA205	23000	12.20	14.50	9136136
		2.5	LS01E-30 LS01E-50	TC4B3021H	CE216T	HE33636UA200	23600	12.50	15.00	9136145
					CE216T	HE47636UA205	23600	13.00	16.00	9136146
		3	LS01E-30 LS01E-50	TC4B3621H	CE216T	HE33636UA200	29400	11.70	14.00	9136137
					CE216T	HE47636UA205	29400	12.20	14.50	9136138
CLQS1-100	2.5	LS01E-30 LS01E-50	TC7B3021S	CE216T	HE33636UA200	28000	12.50	15.00	9136147	
				CE216T	HE47636UA205	28400	13.00	16.00	9136148	
	3	LS01E-30 LS01E-50	TC4B3621H	CE216T	HE33636UA200	34400	11.70	14.00	9136139	
				CE216T	HE47636UA205	34600	12.20	14.50	9136140	
	3.5	LS02E-30 LS02E-50	TC7B3621S	CE216T	HE33636UA200	34800	12.20	15.00	9136149	
				CE216T	HE47636UA205	36000	13.00	16.00	9136150	
CLQS1-125	2.5	LS02E-30 LS02E-50	TC7B4221S	-	-	-	-	-	-	
				CE216T	HE50660UA205	41500	13.00	16.00	9136152	
	3	LS01E-30 LS01E-50	TC4B4821H	CE216T	HE50660UA205	45500	12.50	15.00	9136154	
				-	-	-	-	-	-	
	3.5	LS02E-30 LS02E-50	TC4B4821S	CE216T	HE50660UA205	47500	12.20	14.50	9136144	
				-	-	-	-	-	-	
CLQS1-125	3	LS01E-30 LS01E-50	TC7B4821S	CE216T	HE50660UA205	45500	12.50	15.00	9136154	
				-	-	-	-	-	-	
	3.5	LS02E-30 LS02E-50	TC4B6021S	CE217T	HE33636UA200	34400	11.70	14.00	9136139	
				CE217T	HE47636UA205	34600	12.20	14.50	9136140	
	4	LS02E-30 LS02E-50	TC7B3621S	CE217T	HE33636UA200	34800	12.20	15.00	9136149	
				CE217T	HE47636UA205	36000	13.00	16.00	9136150	
5	1 1/8" ¹ 3/8"	TC7B4221S	-	-	-	-	-	-		
			CE217T	HE50660UA205	41500	13.00	16.00	9136152		
5	1 1/8" ¹ 3/8"	TC4B4821H	CE217T	HE50660UA205	47500	12.20	14.50	9136144		
			-	-	-	-	-	-		
5	1 1/8" ¹ 3/8"	TC7B4821S	CE217T	HE50660UA205	45500	12.50	15.00	9136154		
			-	-	-	-	-	-		
5	1 1/8" ¹ 3/8"	TC4B6021S	CE217T	HE50660UA205	56000	12.20	14.00	10156162		
			-	-	-	-	-	-		

¹ Adapter fitting must be field supplied to connect required 1-1/8" line set to 7/8" service valve connection.

SEE NEXT PAGE FOR MORE DATA -

A/C Evaporator Coil Applications

	Furnace Model Number	AC Tonnage	Line Set	Cond. Model Number	Coil Model Number	Capacity	EER	SEER	AHRI Reference Number
	H O R I Z O N T A L	CLQS1-050	2	LS01E-30 LS01E-50	TC4B2421H	HE33636CH210 ²	23000	12.20	14.00
HE47636CH210 ²						23000	12.20	14.50	9136136
TC7B2421S					HE33636CH210 ²	23600	12.50	15.00	9136145
					HE47636CH210 ²	23600	13.00	16.00	9136146
2.5			LS01E-30 LS01E-50	TC4B3021H	HE33636CH210 ²	29400	11.70	14.00	9136137
					HE47636CH210 ²	29400	12.20	14.50	9136138
				TC7B3021S	HE33636CH210 ²	28000	12.50	15.00	9136147
					HE47636CH210 ²	28400	13.00	16.00	9136148
3			LS01E-30 LS01E-50	TC4B3621H	HE33636CH210 ²	34400	11.70	14.00	9136139
					HE47636CH210 ²	34600	12.20	14.50	9136140
				TC7B3621S	HE33636CH210 ²	34800	12.20	15.00	9136149
					HE47636CH210 ²	36000	13.00	16.00	9136150
CLQS1-075		2	LS01E-30 LS01E-50	TC4B2421H	HE33636CH210	23000	12.20	14.00	9136135
					HE47636CH210	23000	12.20	14.50	9136136
				TC7B2421S	HE33636CH210	23600	12.50	15.00	9136145
					HE47636CH210	23600	13.00	16.00	9136146
		2.5	LS01E-30 LS01E-50	TC4B3021H	HE33636CH210	29400	11.70	14.00	9136137
					HE47636CH210	29400	12.20	14.50	9136138
				TC7B3021S	HE33636CH210	28000	12.50	15.00	9136147
					HE47636CH210	28400	13.00	16.00	9136148
		3	LS01E-30 LS01E-50	TC4B3621H	HE33636CH210	34400	11.70	14.00	9136139
					HE47636CH210	34600	12.20	14.50	9136140
				TC7B3621S	HE33636CH210	34800	12.20	15.00	9136149
					HE47636CH210	36000	13.00	16.00	9136150
3.5		LS02E-30 LS02E-50	TC7B4221S	-	-	-	-	-	
				HE50660CH210	41500	13.00	16.00	9136152	
CLQS1-100		2.5	LS01E-30 LS01E-50	TC4B3021H	HE33636CH210	29400	11.70	14.00	9136137
					HE47636CH210	29400	12.20	14.50	9136138
	TC7B3021S			HE33636CH210	28000	12.50	15.00	9136147	
				HE47636CH210	28400	13.00	16.00	9136148	
	3	LS01E-30 LS01E-50	TC4B3621H	HE33636CH210	34400	11.70	14.00	9136139	
				HE47636CH210	34600	12.20	14.50	9136140	
			TC7B3621S	HE33636CH210	34800	12.20	15.00	9136149	
				HE47636CH210	36000	13.00	16.00	9136150	
	3.5	LS02E-30 LS02E-50	TC7B4221S	-	-	-	-	-	
				HE50660CH210	41500	13.00	16.00	9136152	
	4	LS02E-30 LS02E-50	TC4B4821H	-	-	-	-	-	
				HE50660CH210	47500	12.20	14.50	9136144	
TC7B4821S			-	-	-	-	-		
			HE50660CH210	45500	12.50	15.00	9136154		
CLQS1-125	3	LS01E-30 LS01E-50	TC4B3621H	HE33636CH210	34400	11.70	14.00	9136139	
				HE47636CH210	34600	12.20	14.50	9136140	
			TC7B3621S	HE33636CH210	34800	12.20	15.00	9136149	
				HE47636CH210	36000	13.00	16.00	9136150	
	3.5	LS02E-30 LS02E-50	TC7B4221S	-	-	-	-	-	
				HE50660CH210	41500	13.00	16.00	9136152	
	4	LS02E-30 LS02E-50	TC4B4821H	-	-	-	-	-	
				HE50660CH210	47500	12.20	14.50	9136144	
			TC7B4821S	-	-	-	-	-	
				HE50660CH210	45500	12.50	15.00	9136154	
	5	1 1/8" ¹ 3/8"	TC4B6021S	-	-	-	-	-	
				HE50660CH210	56000	12.20	14.00	10156162	

¹ Adapter fitting must be field supplied to connect required 1-1/8" line set to 7/8" service valve connection.

² Will need field supplied transition to connect furnace to cased coil.