



OIL FIRED UPFLOW FURNACE SPECIFICATIONS

MODEL NO.	OL20*A151T60 B	OL20*A151T60 R
HEATING CAPACITY		
HEAT INPUT RATE (BTUH)	185,000	185,000
OUTPUT BTUH ¹	153,000	153,000
SEASONAL EFFICIENCY ²	85.0%	85.0%
LARGEST REC A/C ³	5 Tons	5 Tons
NOMINAL TEMP RISE	70°	70°
HEAT EXCHANGER AREA	7525 SQ IN	7525 SQ IN
CASING HEIGHT (IN.):	50-1/2"	50-1/2"
CASING WIDTH (IN.):	27"	27"
CASING DEPTH (IN.):	58-1/2"	58-1/2"
NOMINAL FLUE OUTLET DIA.	7"	7"
APPROX SHIPPING WEIGHT LBS	600	600
APPROVAL STANDARDS	UL727	UL727
QTY AND SIZE OF PERMANENT FILTERS	(2) 14" X 25"	(2) 14" X 25"
ELECTRICAL REQUIREMENTS VAC/HZ/PH	120/60/1	120/60/1
MAX FUSE SIZE (AMPS)	20	20
TOTAL CURRENT (AMPS)	18.9	18.9
HEIGHT FROM FLOOR TO CENTER OF FLUE	44-1/4"	44-1/4"
SUPPLY AIR OUTLET SIZE (W-IN. X D-IN.)	22" X 22"	22" X 22"
RETURN AIR INLET OPENING SIZE (W-IN. X D-IN.)	22" X 18"	22" X 18"
	ACCESSORY ITEMS	
COMBUSTION AIR INTAKE HOOD KIT	PVB-2	N/A
OIL BURNER	BECKETT AFG 380739	RIELLO F5 ROB-20

¹ OUTPUT BTUH BASED ON ANNUAL FUEL UTILIZATION EFFICIENCY RATED BY MANUFACTURER.

² SEASONAL EFFICIENCY (ALSO CALLED AFUE - ANNUAL FUEL UTILIZATION EFFICIENCY) RATINGS ARE BASED ON TESTS FOLLOWING U.S. DEPARTMENT OF ENERGY TEST PROCEDURES.

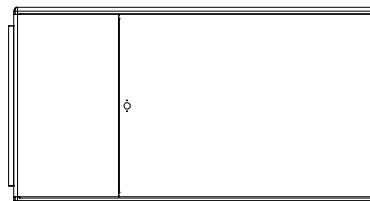
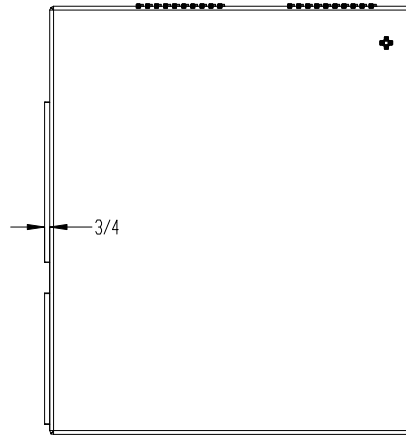
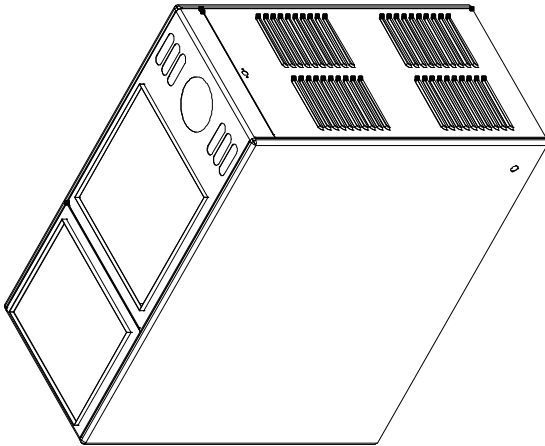
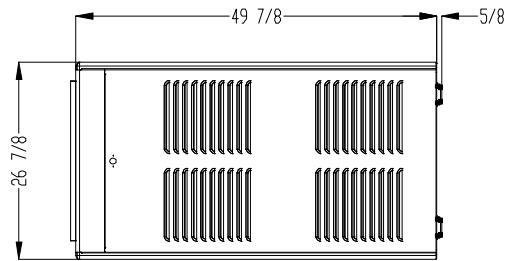
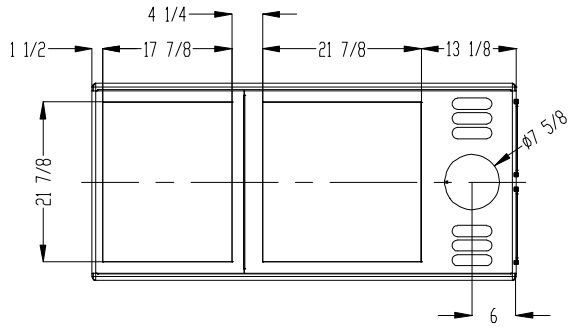
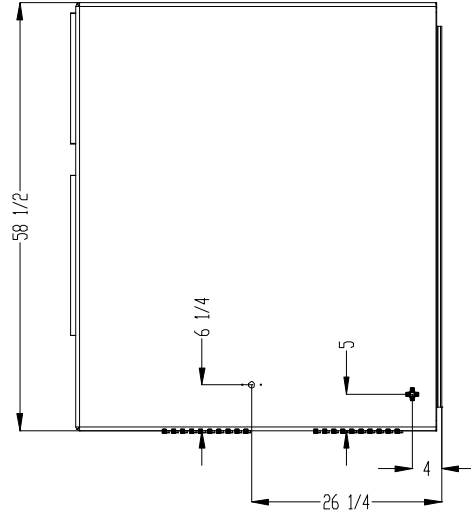
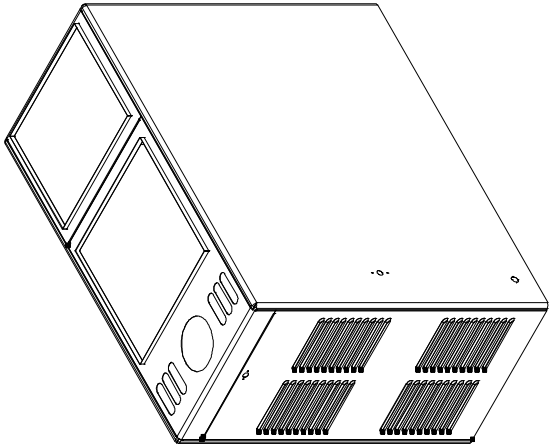
³ TO PERMIT LARGEST RECOMMENDED AIR CONDITIONING (AT .5 STATIC PRESSURE), SELECTION OF THE HIGHEST MOTOR SPEED IS REQUIRED.

Model Number Digit	1	2	3	4	5	6	7	8	9	10	11	12
	Fuel	Configuration	Heat Exchanger Identifier	Flue	Design Change	Capacity	Capacity	Capacity	Blower Type	Clg Airflow Cap.	Clg Airflow Cap.	Burner
Oil Furnace Model Nomenclature Example Model Numbers	O	L	20	F	A	1	5	1	T	6	0	B
	O	L	20	F	A	1	5	1	T	6	0	R
	O	L	20	R	A	1	5	1	T	6	0	B
	O	L	20	R	A	1	5	1	T	6	0	R
O = Oil	O											
L=Lowboy		L										
20 = Heat Exchanger Size Identifier			20									
F = Front				F								
R = Rear				R								
A = Design Change					A							
Heating Capacity MBTUH (000's) with factory installed nozzle						1	5	1				
T=Constant Torque ECM									T			
Clg. Airflow: Example = 48MBTUH = 4 tons @ 400cfm/ton										6	0	
B = Beckett, R = Riello												B

- SEE NEXT PAGE FOR MORE DATA -

OIL FIRED UPFLOW FURNACE SPECIFICATIONS

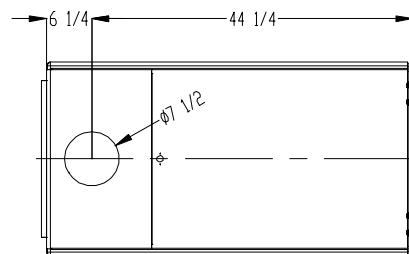
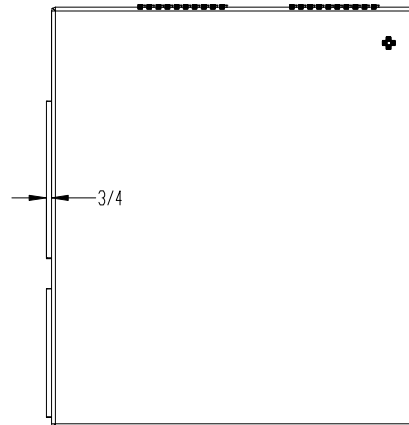
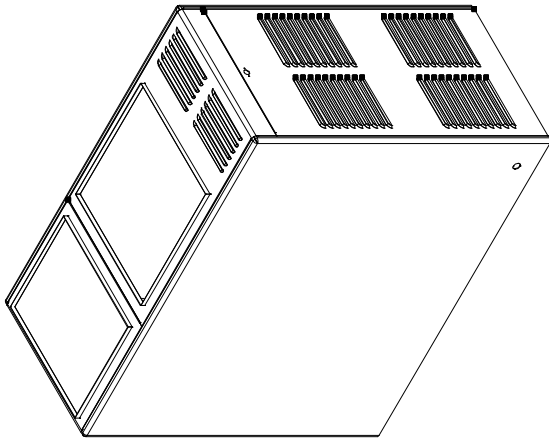
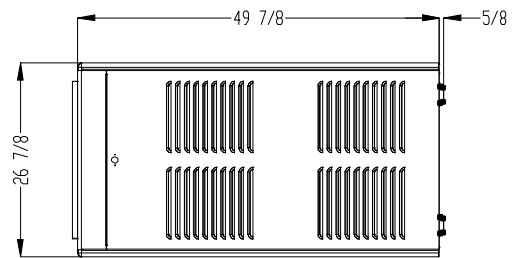
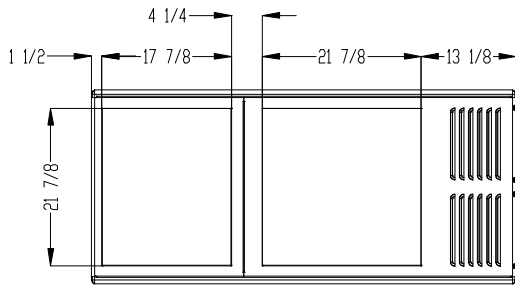
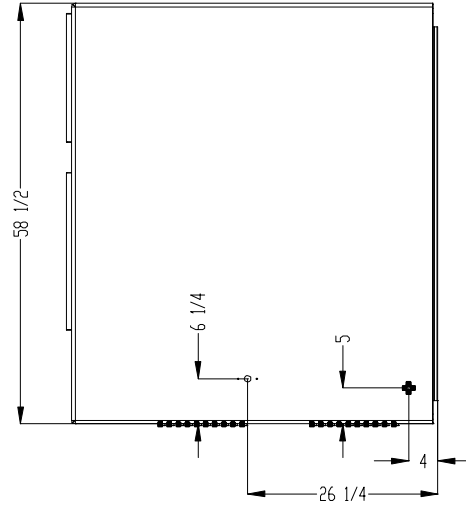
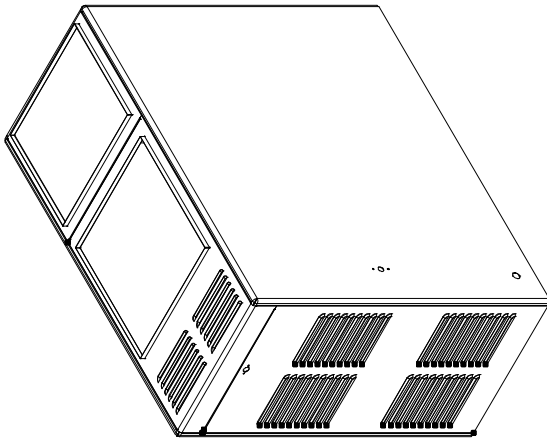
OL20FA151T60



- SEE NEXT PAGE FOR MORE DATA -

OIL FIRED UPFLOW FURNACE SPECIFICATIONS

OL20RA151T60



- SEE NEXT PAGE FOR MORE DATA -

OIL FIRED UPFLOW FURNACE SPECIFICATIONS

CLEARANCES	
	MINIMUM CLEARANCES TO COMUSTIBLE MATERIALS:
SIDES	1"
FRONT	24"
REAR	(Clearance to Combustibles) 1"/ 24" (Service)
FLUE	18"
TOP PLENUM	1"
SIDES PLENUM	1"

BLOWER DATA:	OL20*A151T60
BLOWER MODEL (DIRECT DRIVE)	DD 10-9R
MOTOR H.P.	1 HP
MOTOR TYPE & NUMBER OF SPEEDS	ECM - CONSTANT TORQUE
Diameter x Width (IN.)	10 x 9

BURNER DATA	RIELLO F5 (380216)
AIR TUBE LENGTH (IN.)	8"
BURNER HEAD TYPE:	Fixed
FUEL TYPE:	#2
NOZZLE RATING (GPH):	1.10
SPRAY ANGLE (DEG.):	60°
SPRAY PATTERN:	HOLLOW (A)
OIL PUMP PRESSURE (PSIG):	145 PSI
COMBUSTION CHAMBER TYPE:	REFRACTORY (SOFT CHAMBER)

BURNER DATA	BECKETT AFG TP1031 (380739)
AIR TUBE LENGTH (IN.)	7 3/4"
BURNER HEAD TYPE:	F-12
FUEL TYPE:	#2
NOZZLE RATING (GPH):	1.35
SPRAY ANGLE (DEG.):	80°
SPRAY PATTERN:	SOLID (B)
OIL PUMP PRESSURE (PSIG):	100 PSI
COMBUSTION CHAMBER TYPE:	REFRACTORY (SOFT CHAMBER)

- SEE NEXT PAGE FOR MORE DATA -

OIL FIRED UPFLOW FURNACE SPECIFICATIONS OL20FA151T60

ALTERATIONS REQ'D FOR A/C @ DESIGN EXTERNAL STATIC PRESSURE		
COOLING UNIT	HTG Speed	Recommended CLG Speed
	High Fire	
36,000	MH	LOW
42,000	MH	ML
48,000	MH	MED
60,000	MH	HIGH

AS SHIPPED CLG. →

Speed Tap\ Static Pressure	Furnace Airflow (CFM) vs. External Static pressure (in. WC.)						
	0.1	0.2	0.3	0.4	0.5	0.6	0.7
Low	1416	1353	1282	1225	1159	1101	1029
ML	1621	1553	1486	1432	1383	1313	1255
Med	1821	1744	1695	1647	1584	1539	1476
MH	2136	2067	2005	1952	1906	1863	1810
High	2317	2240	2197	2150	2101	2047	2008
Furnace Motor Current Draw (Amps/Watts) vs. External Static pressure (in. WC.)							
Low	2.8 / 202	3.0 / 217	3.2 / 231	3.3 / 245	3.4 / 257	3.5 / 267	3.7 / 280
ML	3.6 / 279	3.9 / 297	4.0 / 311	4.3 / 327	4.5 / 342	4.6 / 357	4.7 / 371
Med	4.8 / 379	5.0 / 398	5.3 / 415	5.5 / 432	5.7 / 460	5.8 / 476	6.0 / 491
MH	7.3 / 609	7.4 / 633	7.8 / 654	8.1 / 675	8.3 / 695	8.4 / 711	8.6 / 730
High	8.9 / 761	9.1 / 781	9.3 / 808	9.6 / 830	9.8 / 853	10.1 / 874	10.2 / 892

Speed Tap\ Static Pressure	High Fire Temperature Rise vs. External Static pressure (in. WC.)						
	0.1	0.2	0.3	0.4	0.5	0.6	0.7
Low	102	107	113	118	125	132	141
ML	89	93	97	101	105	110	116
Med	79	83	85	88	91	94	98
MH	68	70	72	74	76	78	80
High	62	65	66	67	69	71	72

AS SHIPPED HTG. →

- SEE NEXT PAGE FOR MORE DATA -

OIL FIRED UPFLOW FURNACE SPECIFICATIONS OL20RA151T60

ALTERATIONS REQ'D FOR A/C @ DESIGN EXTERNAL STATIC PRESSURE		
COOLING UNIT	HTG Speed	Recommended CLG Speed
	High Fire	
36,000	MH	LOW
42,000	MH	ML
48,000	MH	MED
60,000	MH	HIGH

AS SHIPPED CLG. →

Speed Tap\ Static Pressure	Furnace Airflow (CFM) vs. External Static pressure (in. WC.)						
	0.1	0.2	0.3	0.4	0.5	0.6	0.7
Low	1416	1353	1282	1225	1159	1101	1029
ML	1621	1553	1486	1432	1383	1313	1255
Med	1821	1744	1695	1647	1584	1539	1476
MH	2136	2067	2005	1952	1906	1863	1810
High	2317	2240	2197	2150	2101	2047	2008
Furnace Motor Current Draw (Amps/Watts) vs. External Static pressure (in. WC.)							
Low	2.8 / 202	3.0 / 217	3.2 / 231	3.3 / 245	3.4 / 257	3.5 / 267	3.7 / 280
ML	3.6 / 279	3.9 / 297	4.0 / 311	4.3 / 327	4.5 / 342	4.6 / 357	4.7 / 371
Med	4.8 / 379	5.0 / 398	5.3 / 415	5.5 / 432	5.7 / 460	5.8 / 476	6.0 / 491
MH	7.3 / 609	7.4 / 633	7.8 / 654	8.1 / 675	8.3 / 695	8.4 / 711	8.6 / 730
High	8.9 / 761	9.1 / 781	9.3 / 808	9.6 / 830	9.8 / 853	10.1 / 874	10.2 / 892

Speed Tap\ Static Pressure	High Fire Temperature Rise vs. External Static pressure (in. WC.)						
	0.1	0.2	0.3	0.4	0.5	0.6	0.7
Low	102	107	113	118	125	132	141
ML	89	93	97	101	105	110	116
Med	79	83	85	88	91	94	98
MH	68	70	72	74	76	78	80
High	62	65	66	67	69	71	72

AS SHIPPED HTG. →

- SEE NEXT PAGE FOR MORE DATA -

OIL FIRED LOWBOY FURNACE SPECIFICATIONS

A/C Evaporator Coil Applications									
Furnace Model Number	AC Tonnage	Line Set	Cond. Model Number	Coil Model Number	Capacity	EER	SEER	AHRI Reference Number	
OL20FA151T60 OL20RA151T60	3	LS01E-30 LS01E-50	TC4B3621H	HE33636PA212	34400	11.70	14.00	9136139	
				HE47636PA212	34600	12.20	14.50	9136140	
			TC7B3621S	HE33636PA212	34800	12.20	15.00	9136149	
				HE47636PA212	36000	13.00	16.00	9136150	
	3.5	LS02E-30 LS02E-50	TC7B4221S	-	-	-	-	-	-
				HE50660PA212	41500	13.00	16.00	9136152	
	4	LS02E-30 LS02E-50	TC4B4821H	-	-	-	-	-	-
				HE50660PA212	47500	12.20	14.50	9136144	
			TC7B4821S	-	-	-	-	-	-
				HE50660PA212	45500	12.50	15.00	9136154	
	5	1 1/8" ¹ 3/8"	TC4B6021S	-	-	-	-	-	-
				HE50660PA212	56000	12.20	14.00	10156162	

¹ Adapter fitting must be field supplied to connect required 1 1/8" line set to 7/8" service valve connection.