



OIL FIRED UPFLOW FURNACE SPECIFICATIONS

MODEL NO.	OL6*A072D48/DV5 B			OL6*A072D48/DV5 R			OL6*A072D48/DV5 C		
HEATING CAPACITY	High Fire	Med Fire	Low Fire	High Fire	Med Fire	Low Fire	High Fire	Med Fire	Low Fire
HEAT INPUT RATE (BTUH)	106,250	85,000	70,000	106,250	85,000	70,000	106,250	85,000	70,000
OUTPUT BTUH ¹	89,000	72,000	60,000	90,000	73,000	60,000	89,000	72,000	60,000
SEASONAL EFFICIENCY ²	86.5%			87.0%			85.0%		
LARGEST REC A/C ³	4 Tons / 5 Tons			4 Tons / 5 Tons			4 Tons / 5 Tons		
NOMINAL TEMP RISE	66°	66°	66°	66°	66°	66°	66°	66°	66°
HEAT EXCHANGER AREA									
CASING HEIGHT (IN.):	34-3/4"			34-3/4"			34-3/4"		
CASING WIDTH (IN.):	20"			20"			20"		
CASING DEPTH (IN.):	50"			50"			50"		
NOMINAL FLUE OUTLET DIA.	5"			5"			5"		
APPROX SHIPPING WEIGHT LBS	250			250			250		
APPROVAL STANDARDS	UL727 CAN/CSA B140.4			UL727 CAN/CSA B140.4			UL727 CAN/CSA B140.4		
QTY AND SIZE OF PERMANENT FILTERS	(2) 19-3/4" X 13-3/4"			(2) 19-3/4" X 13-3/4"			(2) 19-3/4" X 13-3/4"		
ELECTRICAL REQUIREMENTS VAC/HZ/PH	120/60/1			120/60/1			120/60/1		
MAX FUSE SIZE (AMPS) PSC/ECM	15 / 15			15 / 15			15 / 15		
TOTAL CURRENT (AMPS) PSC/ECM	8.7 / 12.3			8.7 / 12.3			8.7 / 12.3		
HEIGHT FROM FLOOR TO CENTER OF FLUE	28-3/8"			28-3/8"			28-3/8"		
SUPPLY AIR OUTLET SIZE (W-IN. X D-IN.)	18" X 20" (20" X 20") ⁵			18" X 20" (20" X 20") ⁵			18" X 20" (20" X 20") ⁵		
RETURN AIR INLET OPENING SIZE (W-IN. X D-IN.)	18" X 18" (20" X 18") ⁵			18" X 18" (20" X 18") ⁵			18" X 18" (20" X 18") ⁵		
	ACCESSORY ITEMS								
2-LINE SYSTEM KIT FOR RIELLO	N/A			380705			N/A		
COMBUSTION AIR INTAKE HOOD KIT	AOPS8397			AOPS8416			N/A		
FIELD VENT TERMINATION KIT ⁶	AOPS8393			AOPS8393			N/A		
SIDEWALL VENT ACCESSORIES KIT ⁶	AOPS8394			AOPS8395			N/A		
BLOCKED VENT KIT ⁴	AOPS2686			AOPS2686			AOPS2686		

¹ OUTPUT BTUH BASED ON ANNUAL FUEL UTILIZATION EFFICIENCY RATED BY MANUFACTURER.

² SEASONAL EFFICIENCY (ALSO CALLED AFUE - ANNUAL FUEL UTILIZATION EFFICIENCY) RATINGS ARE BASED ON TESTS FOLLOWING U.S. DEPARTMENT OF ENERGY TEST PROCEDURES.

³ TO PERMIT LARGEST RECOMMENDED AIR CONDITIONING (AT .5 STATIC PRESSURE), SELECTION OF THE HIGHEST MOTOR SPEED IS REQUIRED.

⁴ NOT TO BE USED IN SIDEWALL VENT APPLICATIONS, USE ONLY WHEN CHIMNEY VENTED.

⁵ PLENUM ADAPTERS, INCLUDED WITH UNIT, MUST BE INSTALLED FOR 20" PLENUM WIDTH.

⁶ NOT TO BE USED WITH CARLIN BURNER.

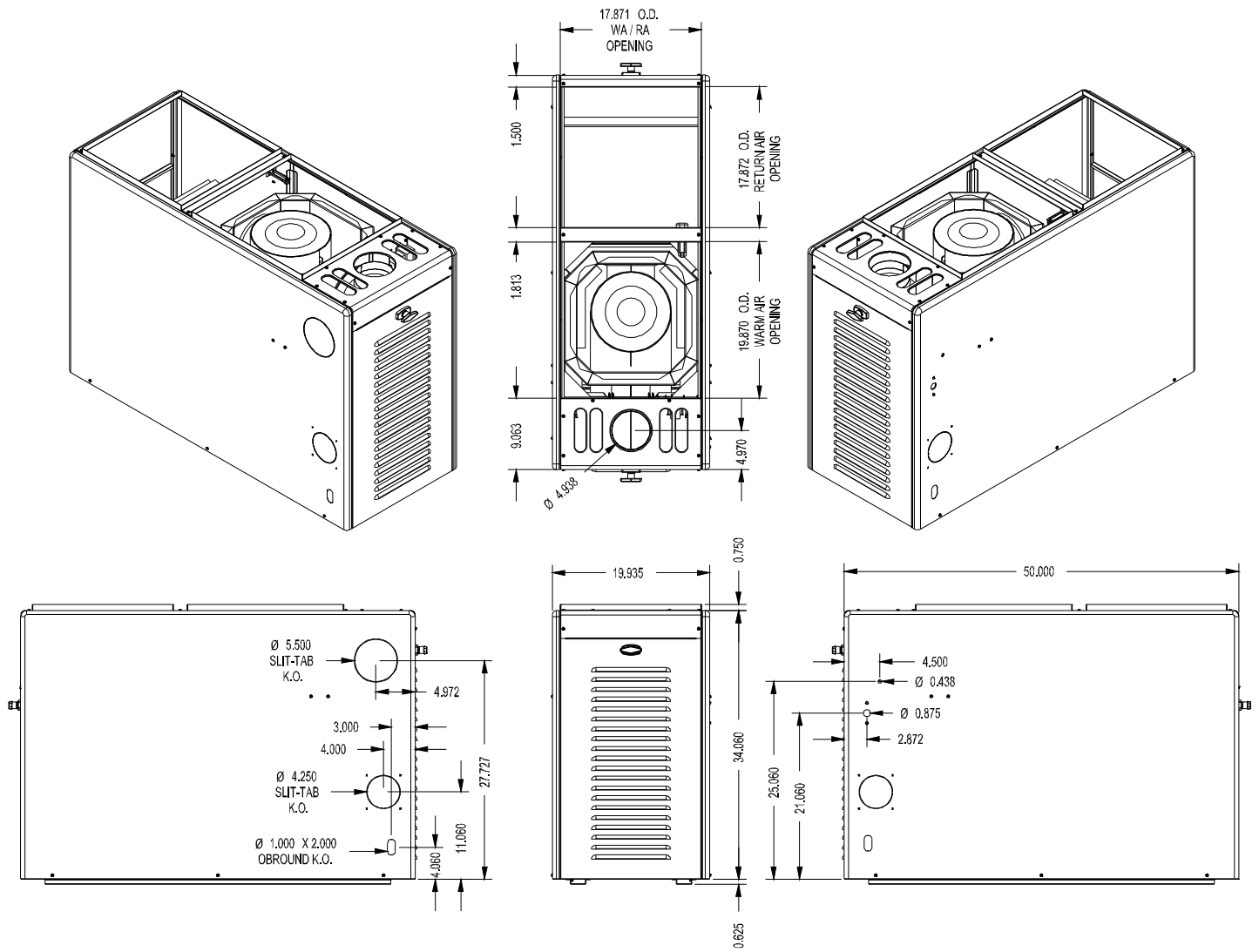
- SEE NEXT PAGE FOR MORE DATA -

Model Number Digit	1	2	3	4	5	6	7	8	9	10	11	12
	Fuel	Configuration	Heat Exchanger Identifier	Flue	Design Change	Capacity	Capacity	Capacity	Blower Type	Clg Airflow Cap.	Clg Airflow Cap.	Burner
Oil Furnace Model Nomenclature Example Model Numbers	O	L	6	F	A	0	7	2	D	4	8	B
	O	L	6	F	A	0	7	2	D	V	5	B
	O	L	6	R	A	0	7	2	D	V	5	R
O = Oil	O											
L=Lowboy		L										
6 = Heat Exchanger Size Identifier			6									
F = Front				F								
R = Rear				R								
A = Design Change					A							
Heating Capacity MBTUH (000's) with factory installed nozzle						0	7	2				
D = Direct Drive									D			
Clg. Airflow: Example = 48MBTUH = 4 tons @ 400cfm/ton										4	8	
Clg. Airflow Variable Speed (ECM) V5= 5tons										V	5	
B = Beckett, R = Riello, C = Carlin												B

- SEE NEXT PAGE FOR MORE DATA -

OIL FIRED UPFLOW FURNACE SPECIFICATIONS

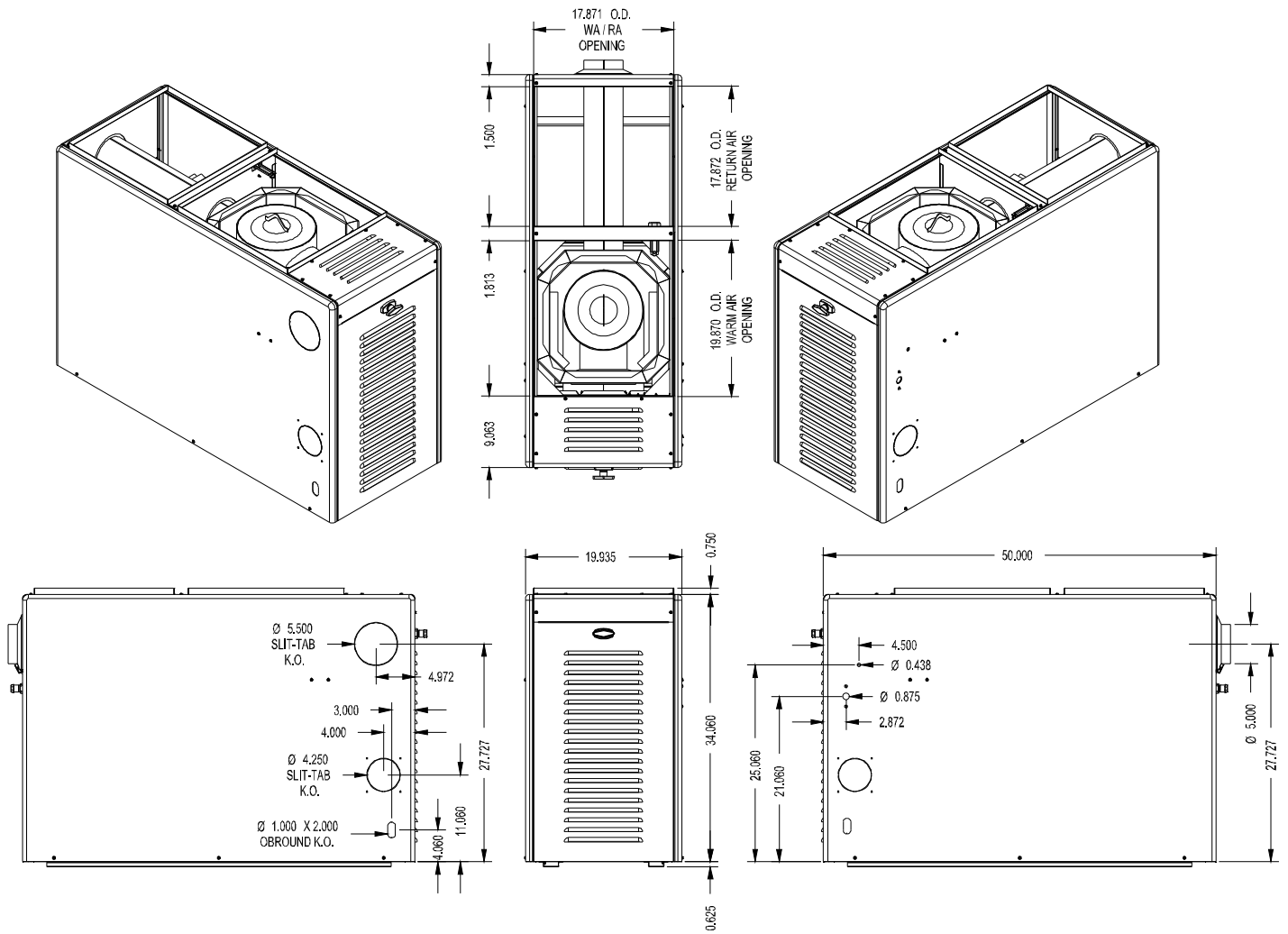
OL6FA072D**



- SEE NEXT PAGE FOR MORE DATA -

OIL FIRED UPFLOW FURNACE SPECIFICATIONS

OL6RA072D**



CLEARANCES	
	MINIMUM CLEARANCES TO COMUSTIBLE MATERIALS:
SIDES	0"
FRONT (SERVICE ACCESS)	(Clearance to Combustibles) 6"/ 24" (Service)
REAR	(Clearance to Combustibles) 0"/ 24" (Service)
FLUE	7"
TOP PLENUM	1"
SIDES PLENUM	1"

- SEE NEXT PAGE FOR MORE DATA -

OIL FIRED UPFLOW FURNACE SPECIFICATIONS

BLOWER DATA:	OL6*A072D48	OL6*A072DV5
BLOWER MODEL (DIRECT DRIVE)	DD 120-9T	DD 120-9T
MOTOR H.P.	½ HP	1 HP
MOTOR TYPE & NUMBER OF SPEEDS	PSC - 5	ECM (CONSTANT CFM)
HIGH SPEED AIRFLOW (SCFM) @ 0.5 IN. W.G. EXTERNAL STATIC PRESSURE:	1566	2000
Diameter x Width (IN.)	12 x 9	12 x 9

BURNER DATA	RIELLO "BF3" WITH CERA-FELT SLEEVE		
AIR TUBE LENGTH (IN.)	4 ½"		
BURNER HEAD TYPE:	Fixed		
FUEL TYPE:	#2		
NOZZLE RATING (GPH):	.70	.60	.50
SPRAY ANGLE (DEG.):	80°	80°	80°
SPRAY PATTERN:	HOLLOW (A)	HOLLOW (A)	HOLLOW (A)
OIL PUMP PRESSURE (PSIG):	140 PSI		
COMBUSTION CHAMBER TYPE:	REFRACTORY (SOFT CHAMBER)		

BURNER DATA	BECKETT "AFG" S - PLATE 3912 (3 5/8") 31517 CERAMIC		
AIR TUBE LENGTH (IN.)	4 ½"		
BURNER HEAD TYPE:	F-3		
FUEL TYPE:	#2		
NOZZLE RATING (GPH):	.75	.60	.50
SPRAY ANGLE (DEG.):	80°	80°	80°
SPRAY PATTERN:	SOLID (B)	SOLID (B)	SOLID (B)
OIL PUMP PRESSURE (PSIG):	120 PSI		
COMBUSTION CHAMBER TYPE:	REFRACTORY (SOFT CHAMBER)		

BURNER DATA:	CARLIN "EZ-1HP"		
AIR TUBE LENGTH (IN.)	4 ½"		
BURNER HEAD TYPE:	N/A		
FUEL TYPE:	#2		
NOZZLE RATING (GPH):	.75	.60	.50
SPRAY ANGLE (DEG.):	60°	60°	60°
SPRAY PATTERN:	HOLLOW (A)	HOLLOW (A)	HOLLOW (A)
OIL PUMP PRESSURE (PSIG):	120 PSI		
COMBUSTION CHAMBER TYPE:	REFRACTORY (SOFT CHAMBER)		

OIL FIRED UPFLOW FURNACE SPECIFICATIONS

OL6*A072D48

ALTERATIONS REQ'D FOR A/C @ DESIGN EXTERNAL STATIC PRESSURE				
COOLING UNIT	HTG Speed by Input			Recommended CLG Speed
	Low fire	Mid Fire	High Fire	
24,000	ML	MED	MH	Med Low
30,000	ML	MED	MH	Med
36,000	ML	MED	MH	Med High
42,000	ML	MED	MH	High
48,000	ML	MED	MH	High

Speed Tap\ Static Pressure	Furnace Airflow (CFM) vs. External Static pressure (in. WC.)				
	0.2	0.3	0.4	0.5	0.6
Low	712	691	682	667	664
ML	902	899	896	883	874
MED	1113	1113	1109	1091	1073
MH	1270	1266	1250	1239	1215
High	1670	1637	1605	1566	1527
Motor Current Draw (Amps/Watts) vs. External Static pressure (in. WC.)					
Low	4.1/408	4.0/398	4.0/395	3.9/385	3.8/378
ML	5.3/540	5.3/535	5.2/527	5.1/512	4.9/500
MED	6.6/665	6.4/644	6.2/634	5.9/609	5.6/584
MH	7.6/772	7.2/739	6.9/713	6.6/682	6.4/663
High	9.6/951	8.4/830	9.0/887	8.8/869	8.4/835

Speed Tap\ Static Pressure	High Fire Temperature Rise vs. External Static pressure (in. WC.)				
	0.2	0.3	0.4	0.5	0.6
Low	119	122	124	127	127
ML	94	94	94	96	97
MED	76	76	76	77	79
MH	66	67	68	68	70
High	51	52	53	54	55

Speed Tap\ Static Pressure	Mid Fire Temperature Rise vs. External Static pressure (in. WC.)				
	0.2	0.3	0.4	0.5	0.6
Low	96	99	100	102	103
ML	75	76	76	77	78
MED	61	61	61	62	63
MH	54	54	54	55	56
High	41	42	42	43	45

Speed Tap\ Static Pressure	Low Fire Temperature Rise vs. External Static pressure (in. WC.)				
	0.2	0.3	0.4	0.5	0.6
Low	79	81	83	84	85
ML	62	63	63	64	64
MED	51	51	51	52	53
MH	44	44	45	45	46
High	34	34	35	36	37

- SEE NEXT PAGE FOR MORE DATA -

OIL FIRED UPFLOW FURNACE SPECIFICATIONS

OL6*A072DV5

Heating Speed Set-ups

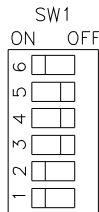
Furnace Motor Current

Draw (Amps/ / Watts) vs.

External Static Pressure (in W.C.)

			Low Fire	Med Fire	High Fire		
		BTUH	60,000	72,000	90,000		
Fan Control SW 1 Switch Settings	Heating CFM		Aprox. Rise (F°)	Aprox. Rise (F°)	Aprox. Rise (F°)	0.2	0.5
3-OFF 2-OFF 1-OFF	755		73°			1.1/93	1.7/154
3-OFF 2-OFF 1-ON	826		66°	80°		1.2/105	1.9/168
3-OFF 2-ON 1-OFF	898		61°	74°		1.8/180	2.3/219
Factory SW1 Switch Settings	3-OFF 2-ON 1-ON	983	56°	67°		2.0/199	2.7/270
	3-ON 2-OFF 1-OFF	1068		62°	77°	2.2/224	3.0/297
	3-ON 2-OFF 1-ON	1168		57°	71°	2.5/254	3.4/336
	3-ON 2-ON 1-OFF	1282			64°	3.0/298	3.8/380
	3-ON 2-ON 1-ON	1397			60°	3.5/338	4.4/420

= Recommended Heating Speed Setting



- SEE NEXT PAGE FOR MORE DATA -

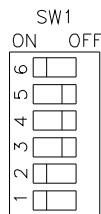
OIL FIRED UPFLOW FURNACE SPECIFICATIONS

OL6*A072DV5

Cooling Speed Set-ups

**Furnace Motor Current
Draw (Amps / Watts) vs.
External Static Pressure (in W.C)**

		Air Flow					
		Clg. Tonnage	Cool	Continuous	0.2	0.5	
Fan Control SW 1 Switch Settings	6-OFF 5-OFF 4-OFF	2	799	500	1.2/100	1.9/162	
	6-OFF 5-OFF 4-ON	2.5	1017	508	1.8/155	2.5/223	
	6-OFF 5-ON 4-OFF	3	1210	605	2.5/223	3.2/298	
	6-OFF 5-ON 4-ON	3.5	1404	702	3.4/310	4.2/394	
	Factory SW1 Switch Settings	6-ON 5-OFF 4-OFF	4	1622	799	4.7/444	5.5/535
		6-ON 5-OFF 4-ON	-	1817	897	6.1/590	7.1/693
		6-ON 5-ON 4-OFF	5	2010	993	7.9/789	8.8/883



- SEE NEXT PAGE FOR MORE DATA -

A/C Evaporator Coil Applications

Furnace Model Number	AC Tonnage	Line Set	Cond. Model Number	Coil Model Number	Capacity	EER	SEER	AHRI Reference Number
OL6*A072D48	2	LS01E-30 LS01E-50	TC4B2421H	HE33636PA212	23000	12.20	14.00	9136135
				HE47636PA212	23000	12.20	14.50	9136136
			TC7B2421S	HE33636PA212	23600	12.50	15.00	9136145
				HE47636PA212	23600	13.00	16.00	9136146
	2.5	LS01E-30 LS01E-50	TC4B3021H	HE33636PA212	29400	11.70	14.00	9136137
				HE47636PA212	29400	12.20	14.50	9136138
			TC7B3021S	HE33636PA212	28000	12.50	15.00	9136147
				HE47636PA212	28400	13.00	16.00	9136148
	3	LS01E-30 LS01E-50	TC4B3621H	HE33636PA212	34400	11.70	14.00	9136139
				HE47636PA212	34600	12.20	14.50	9136140
			TC7B3621S	HE33636PA212	34800	12.20	15.00	9136149
				HE47636PA212	36000	13.00	16.00	9136150
	3.5	LS02E-30 LS02E-50	TC7B4221S	-	-	-	-	-
				HE50660PA212	41500	13.00	16.00	9136152
	4	LS02E-30 LS02E-50	TC4B4821H	-	-	-	-	-
				HE50660PA212	47500	12.20	14.50	9136144
			TC7B4821S	-	-	-	-	-
				HE50660PA212	45500	12.50	15.00	9136154
OL6*A072DV5	2	LS01E-30 LS01E-50	TC4B2421H	HE33636PA212	23000	12.20	14.00	9136135
				HE47636PA212	23000	12.20	14.50	9136136
			TC7B2421S	HE33636PA212	23600	12.50	15.00	9136145
				HE47636PA212	23600	13.00	16.00	9136146
	2.5	LS01E-30 LS01E-50	TC4B3021H	HE33636PA212	29400	11.70	14.00	9136137
				HE47636PA212	29400	12.20	14.50	9136138
			TC7B3021S	HE33636PA212	28000	12.50	15.00	9136147
				HE47636PA212	28400	13.00	16.00	9136148
	3	LS01E-30 LS01E-50	TC4B3621H	HE33636PA212	34400	11.70	14.00	9136139
				HE47636PA212	34600	12.20	14.50	9136140
			TC7B3621S	HE33636PA212	34800	12.20	15.00	9136149
				HE47636PA212	36000	13.00	16.00	9136150
	3.5	LS02E-30 LS02E-50	TC7B4221S	-	-	-	-	-
				HE50660PA212	41500	13.00	16.00	9136152
	4	LS02E-30 LS02E-50	TC4B4821H	-	-	-	-	-
				HE50660PA212	47500	12.20	14.50	9136144
			TC7B4821S	-	-	-	-	-
				HE50660PA212	45500	12.50	15.00	9136154
	5	1 1/8" ¹ 3/8"	TC4B6021S	-	-	-	-	-
				HE50660PA212	56000	12.20	14.00	10156162

¹ Adapter fitting must be field supplied to connect required 1 1/8" line set to 7/8" service valve connection.