



OIL FIRED UPFLOW FURNACE SPECIFICATIONS

MODEL NO.	OH8FA119D60/DV5B			OH8FA119D60/DV5R			OH8FA119D60/DV5C		
HEATING CAPACITY	High Fire	Med Fire	Low Fire	High Fire	Med Fire	Low Fire	High Fire	Med Fire	Low Fire
HEAT INPUT RATE (BTUH)	156,250	140,000	119,000	156,250	140,000	119,000	156,250	140,000	119,000
OUTPUT BTUH ¹	132,000	120,000	101,000	132,000	120,000	101,000	132,000	120,000	101,000
SEASONAL EFFICIENCY ²	85.8%			86.0%			85.0%		
LARGEST REC A/C ³	5 Tons			5 Tons			5 Tons		
NOMINAL TEMP RISE	66°	66°	66°	66°	66°	66°	66°	66°	66°
HEAT EXCHANGER AREA									
CASING HEIGHT (IN.):	50 1/8"			50 1/8"			50 1/8"		
CASING WIDTH (IN.):	24 1/2"			24 1/2"			24 1/2"		
CASING DEPTH (IN.):	36 1/2"			36 1/2"			36 1/2"		
NOMINAL FLUE OUTLET DIA.	7"			7"			7"		
APPROX SHIPPING WEIGHT LBS	310			310			310		
APPROVAL STANDARDS	UL727 CAN/CSA B140.4			UL727 CAN/CSA B140.4			UL727 CAN/CSA B140.4		
QTY AND SIZE OF PERMANENT FILTERS	(1) 24 3/4" X 19 3/4"			(1) 24 3/4" X 19 3/4"			(1) 24 3/4" X 19 3/4"		
ELECTRICAL REQUIREMENTS VAC/HZ/PH	120/60/1			120/60/1			120/60/1		
MAX FUSE SIZE (AMPS) PSC/ECM	20/20			20/20			20/20		
TOTAL CURRENT (AMPS) PSC/ECM									
HEIGHT FROM FLOOR TO CENTER OF FLUE	42 1/2"			42 1/2"			42 1/2"		
SUPPLY AIR OUTLET SIZE (W-IN. X D-IN.)	20" X 20"			20" X 20"			20" X 20"		
RETURN AIR DUCTWORK CONNECTION FLANGE SIZE ON FILTER RACK (D-IN. X H-IN.)	23 3/4" X 19"			23 3/4" X 19"			23 3/4" X 19"		
RETURN AIR INLET OPENING SIZE IN SIDE CASING (TO BE CUTOUT BY DEALER) (D-IN. X H-IN.)	23" X 14"			23" X 14"			23" X 14"		
OPTIONAL REAR RETURN AIR OPENING (D-IN X H-IN)	22" X 14"			22" X 14"			22" X 14"		
ACCESSORY ITEMS									
2-LINE SYSTEM KIT FOR RIELLO	N/A			380705			N/A		
FIELD VENT TERMINATION KIT ⁵	AOPS8414			AOPS8414			N/A		
SIDEWALL VENT ACCESSORIES KIT ⁵	AOPS8394			AOPS8395			N/A		
COMBUSTION AIR KIT	AOPS8397			AOPS8416			N/A		
BLOCKED VENT KIT ⁴	AOPS2686			AOPS2686			AOPS2686		
OIL BURNER	BECKETT AFG			RIELLO BF5			CARLIN EZ-1HP		

¹ OUTPUT BTUH BASED ON ANNUAL FUEL UTILIZATION EFFICIENCY RATED BY MANUFACTURER.

² SEASONAL EFFICIENCY (ALSO CALLED AFUE - ANNUAL FUEL UTILIZATION EFFICIENCY) RATINGS ARE BASED ON TESTS FOLLOWING U.S. DEPARTMENT OF ENERGY TEST PROCEDURES.

³ TO PERMIT LARGEST RECOMMENDED AIR CONDITIONING (AT .5 STATIC PRESSURE), SELECTION OF THE HIGHEST MOTOR SPEED IS REQUIRED.

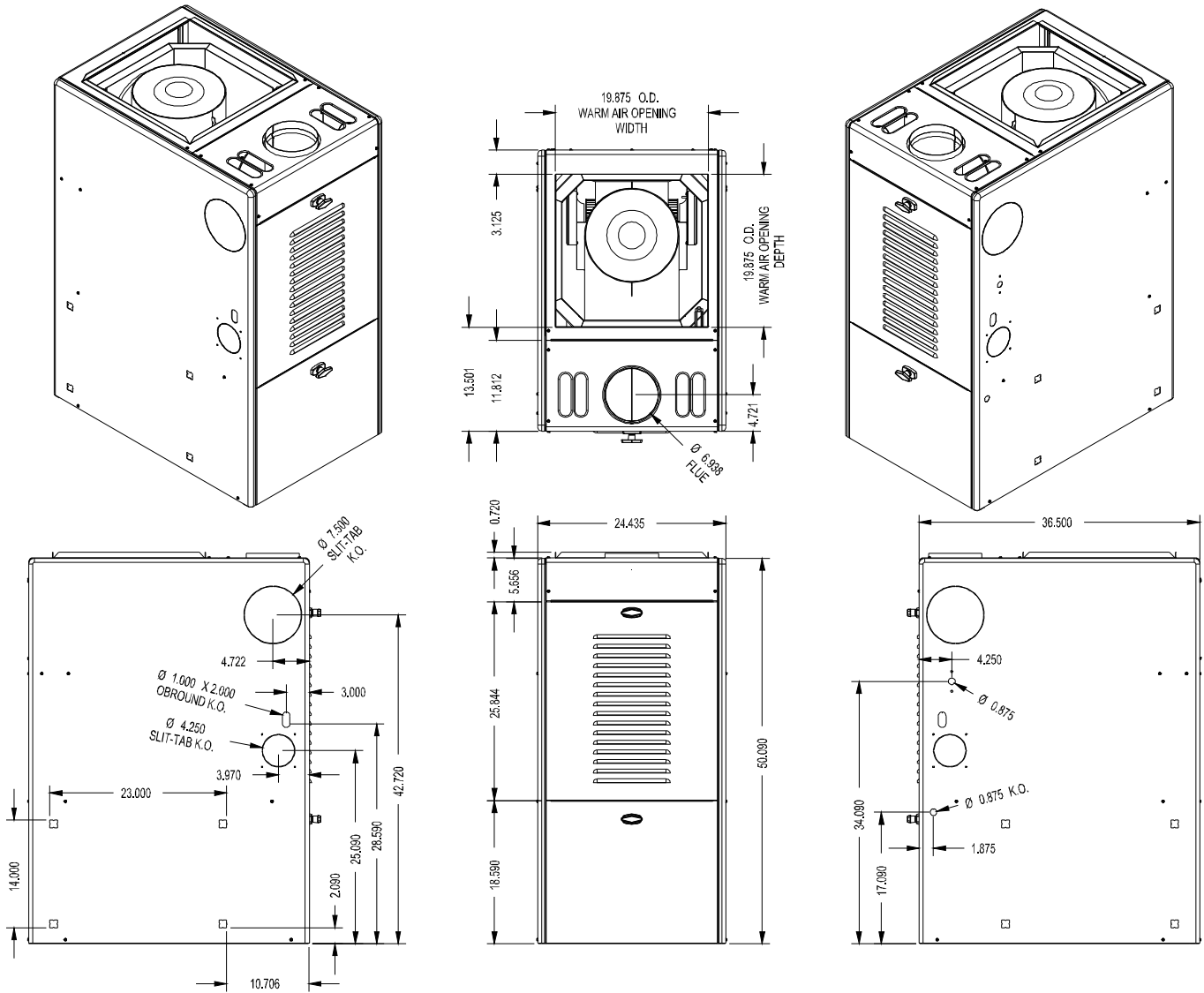
⁴ NOT TO BE USED IN SIDEWALL VENT APPLICATIONS, USE ONLY WHEN CHIMNEY VENTED.

⁵ NOT TO BE USED WITH CARLIN BURNER.

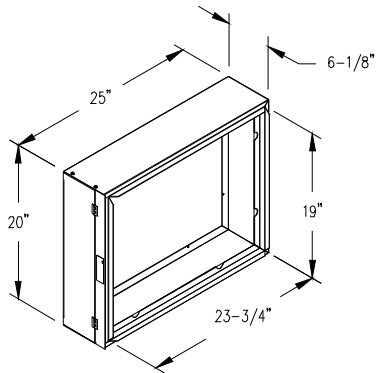
Model Number Digit	1	2	3	4	5	6	7	8	9	10	11	12
	Fuel	Configuration	Heat Exchanger Identifier	Flue	Design Change	Capacity	Capacity	Capacity	Blower Type	Clg Airflow Cap.	Clg Airflow Cap.	Burner
Oil Furnace Model Nomenclature Example Model Numbers	O	H	8	F	A	1	1	9	D	6	0	B
	O	H	8	F	A	1	1	9	D	V	5	R
O = Oil	O											
H = Highboy		H										
6 = Heat Exchanger Size Identifier			8									
F = Front				F								
Design Change					A							
Heating Capacity MBTUH (000's) with factory installed nozzle						1	1	9				
D = Direct Drive									D			
Clg. Airflow: Example = 48MBTUH = 4 tons @ 400cfm/ton										6	0	
Clg. Airflow Variable Speed (ECM) V4= 4tons										V	5	
B = Beckett, R = Riello, N = Beckett NX, C = Carlin												B

- SEE NEXT PAGE FOR MORE DATA -

OIL FIRED UPFLOW FURNACE SPECIFICATIONS



FILTER RACK SPECIFICATIONS



- SEE NEXT PAGE FOR MORE DATA -

OIL FIRED UPFLOW FURNACE SPECIFICATIONS

BLOWER DATA:	OH8FA119D60	OH8FA119DV5
BLOWER MODEL	DD 120-11T	DD 120-11T
MOTOR H.P.	3/4 HP	1 HP Variable Speed
MOTOR TYPE & NUMBER OF SPEEDS	PSC - 4	ECM -
HIGH SPEED AIRFLOW (SCFM) @ 0.5 IN. W.G. EXTERNAL STATIC PRESSURE:	2000	2000
Diameter x Width (IN.)	11 x 11	11 x 11

BURNER DATA	RIELLO "BF5" WITH CERA-FELT SLEEVE		
AIR TUBE LENGTH (IN.)	4 1/2"		
BURNER HEAD TYPE:	Fixed		
FUEL TYPE:	#2		
NOZZLE RATING (GPH):	1.00	0.85	0.75
SPRAY ANGLE (DEG.):	80°	80°	80°
SPRAY PATTERN:	HOLLOW (A)	HOLLOW (A)	HOLLOW (A)
OIL PUMP PRESSURE (PSIG):	140 PSI		
COMBUSTION CHAMBER TYPE:	REFRACTORY (SOFT CHAMBER)		

BURNER DATA	BECKETT "AFG" S - PLATE 3383 (2 3/4 U) 31517 CERAMIC		
AIR TUBE LENGTH (IN.)	4 1/2"		
BURNER HEAD TYPE:	F-6		
FUEL TYPE:	#2		
NOZZLE RATING (GPH):	1.10	1.00	0.85
SPRAY ANGLE (DEG.):	80°	80°	80°
SPRAY PATTERN:	HOLLOW (A)	HOLLOW (A)	HOLLOW (A)
OIL PUMP PRESSURE (PSIG):	120 PSI		
COMBUSTION CHAMBER TYPE:	REFRACTORY (SOFT CHAMBER)		

BURNER DATA	CARLIN "EZ-1HP"		
AIR TUBE LENGTH (IN.)	4 1/2"		
BURNER HEAD TYPE:	N/A		
FUEL TYPE:	#2		
NOZZLE RATING (GPH):	0.90	0.85	0.75
SPRAY ANGLE (DEG.):	60°	60°	60°
SPRAY PATTERN:	HOLLOW (A)	HOLLOW (A)	HOLLOW (A)
OIL PUMP PRESSURE (PSIG):	140 PSI		
COMBUSTION CHAMBER TYPE:	REFRACTORY (SOFT CHAMBER)		

CLEARANCES	
	MINIMUM CLEARANCES TO COMUSTIBLE MATERIALS:
SIDES	0"
FRONT (SERVICE ACCESS)	(Clearance to Combustibles) 8" / 24" (Service)
REAR	0"
FLUE	8"
TOP PLENUM	1"
SIDES PLENUM	1"

- SEE NEXT PAGE FOR MORE DATA -

OIL FIRED UPFLOW FURNACE SPECIFICATIONS

OH8FA119D60

ALTERATIONS REQ'D FOR A/C @ DESIGN EXTERNAL STATIC PRESSURE				
COOLING UNIT	HTG Speed by Input			Recommended CLG Speed
	Low Fire	Mid Fire	High Fire	
36,000	L/ML	ML/MH	MH/H	Low (L)
42,000	L/ML	ML/MH	MH/H	Med Low (ML)
48,000	L/ML	ML/MH	MH/H	Med High (MH)
60,000	L/ML	ML/MH	MH/H	High (H)

Speed Tap\ Static Pressure	Furnace Airflow (CFM) vs. External Static pressure (in. WC.)						
	0.1	0.2	0.3	0.4	0.5	0.6	0.7
Low	1254	1254	1251	1246	1221	1189	1126
ML	1473	1464	1460	1437	1415	1377	1329
MH	1733	1731	1718	1705	1686	1660	1627
High	2300	2243	2224	2166	2099	2048	1754

Blower Motor Current Draw (Amps)/Watts vs. External Static pressure (in. WC.)							
Low	6.6/648	6.6/648	6.4/639	6.2/630	6.0/612	5.8/592	5.4/565
ML	7.6/772	7.2/739	7.1/730	6.8/704	6.6/683	6.3/661	6.1/641
MH	9.0/908	9.0/905	8.7/888	8.5/871	8.3/842	8.0/818	7.7/796
High	12.5/1270	11.7/1200	11.2/1150	10.7/1110	10.2/1060	9.7/1020	9.2/969

Speed Tap\ Static Pressure	High Fire Temperature Rise vs. External Static pressure (in. WC.)						
	0.1	0.2	0.3	0.4	0.5	0.6	0.7
Low	98	98	98	99	101	103	109
ML	83	84	84	86	87	89	93
MH	71	71	72	72	73	74	76
High	53	55	55	57	59	60	70

Speed Tap\ Static Pressure	Mid Fire Temperature Rise vs. External Static pressure (in. WC.)						
	0.1	0.2	0.3	0.4	0.5	0.6	0.7
Low	88	88	88	89	90	93	98
ML	75	75	75	77	78	80	83
MH	64	64	64	65	65	66	68
High	48	49	50	51	52	54	63

Speed Tap\ Static Pressure	Low Fire Temperature Rise vs. External Static pressure (in. WC.)						
	0.1	0.2	0.3	0.4	0.5	0.6	0.7
Low	75	75	75	75	77	79	83
ML	64	64	64	65	66	68	70
MH	54	54	55	55	56	56	58
High	41	42	42	43	45	46	53

- SEE NEXT PAGE FOR MORE DATA -

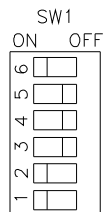
OIL FIRED UPFLOW FURNACE SPECIFICATIONS

OH8FA119DV5

Heating Speed Set-ups

Furnace Motor Current
Draw (Amps / Watts) vs.
External Static Pressure (in W.C)

		Low Fire	Med Fire	High Fire			
		101,000	119,000	132,000			
		BTUH					
Fan Control SW 1 Switch Settings	Heating CFM	Aprox. Rise (F°)	Aprox. Rise (F°)	Aprox. Rise (F°)	.02	.05	
3-OFF 2-OFF 1-OFF	1202	78°			1.6/146	2.5/233	
3-OFF 2-OFF 1-ON	1315	71°	84°		1.9/174	2.7/252	
3-OFF 2-ON 1-OFF	1429	65°	77°		2.3/206	3.2/294	
3-OFF 2-ON 1-ON	1565	60°	70°	78°	2.6/242	3.6/337	
Factory SW1 Switch Settings	3-ON 2-OFF 1-OFF	1701	55°	65°	72°	3.1/292	4.1/399
	3-ON 2-OFF 1-ON	1860		59°	66°	3.7/354	4.8/466
	3-ON 2-ON 1-OFF	2041			60°	4.7/452	5.7/567
	3-ON 2-ON 1-ON	2223			55°	5.9/587	7.2/719



- SEE NEXT PAGE FOR MORE DATA -

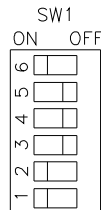
OIL FIRED UPFLOW FURNACE SPECIFICATIONS

OH8FA119DV5

Cooling Speed Set-ups

Furnace Motor Current
Draw (Amps/Watts) vs.
External Static Pressure (in W.C.)

		Air Flow					
Fan Control SW 1 Switch Settings	Clg. Tonnage	Cool	Continuous	Dehum	External Static Pressure (in W.C.)		
					.02	.05	
6-OFF 5-OFF 4-OFF	2	800	500	557	1.0/89	1.8/161	
6-OFF 5-OFF 4-ON	2.5	1018	509	703	1.4/121	2.1/192	
6-OFF 5-ON 4-OFF	3	1212	606	848	1.8/159	2.6/231	
6-OFF 5-ON 4-ON	3.5	1406	703	994	2.3/203	3.1/290	
Factory SW1 Switch Settings 6-ON 5-OFF 4-OFF	4	1624	800	1139	3.0/278	4.0/378	
6-ON 5-OFF 4-ON	4.5	1818	897	1285	3.8/353	5.0/475	
6-ON 5-ON 4-OFF	5	2012	994	1406	4.8/456	6.0/582	
6-ON 5-ON 4-ON	5.5	2230	1115	1551	6.1/593	7.4/729	



- SEE NEXT PAGE FOR MORE DATA -

A/C Evaporator Coil Applications

Furnace Model Number	AC Tonnage	Line Set	Cond. Model Number	Coil Model Number	Capacity	EER	SEER	AHRI Reference Number
OH8FA119D60	3	LS01E-30 LS01E-50	TC4B3622S	HE33636PA212	34400	11.70	14.00	9136139
				HE47636PA212	34600	12.20	14.50	9136140
			TC7B3621S	HE33636PA212	34800	12.20	15.00	9136149
				HE47636PA212	36000	13.00	16.00	9136150
	3.5	LS02E-30 LS02E-50	TC7B4221S	-	-	-	-	-
				HE50660PA212	41500	13.00	16.00	9136152
	4	LS02E-30 LS02E-50	TC4B4821H	-	-	-	-	-
				HE50660PA212	47500	12.20	14.50	9136144
			TC7B4821S	-	-	-	-	-
				HE50660PA212	45500	12.50	15.00	9136154
	5	1 1/8" ¹ 3/8"	TC4B6021S	-	-	-	-	-
				HE50660PA212	56000	12.20	14.00	10156162
OH8FA119DV5	2	LS01E-30 LS01E-50	TC4B2422S	HE33636PA212	23000	12.20	14.00	9136135
				HE47636PA212	23000	12.20	14.50	9136136
			TC7B2421S	HE33636PA212	23600	12.50	15.00	9136145
				HE47636PA212	23600	13.00	16.00	9136146
	2.5	LS01E-30 LS01E-50	TC4B3022S	HE33636PA212	29400	11.70	14.00	9136137
				HE47636PA212	29400	12.20	14.50	9136138
			TC7B3021S	HE33636PA212	28000	12.50	15.00	9136147
				HE47636PA212	28400	13.00	16.00	9136148
	3	LS01E-30 LS01E-50	TC4B3622S	HE33636PA212	34400	11.70	14.00	9136139
				HE47636PA212	34600	12.20	14.50	9136140
			TC7B3621S	HE33636PA212	34800	12.20	15.00	9136149
				HE47636PA212	36000	13.00	16.00	9136150
	3.5	LS02E-30 LS02E-50	TC7B4221S	-	-	-	-	-
				HE50660PA212	41500	13.00	16.00	9136152
	4	LS02E-30 LS02E-50	TC4B4821H	-	-	-	-	-
				HE50660PA212	47500	12.20	14.50	9136144
			TC7B4821S	-	-	-	-	-
				HE50660PA212	45500	12.50	15.00	9136154
	5	1 1/8" ¹ 3/8"	TC4B6021S	-	-	-	-	-
				HE50660PA212	56000	12.20	14.00	10156162

¹ Adapter fitting must be field supplied to connect required 1 1/8" line set to 7/8" service valve connection.