

SPECIFICATIONS

MODEL OH5-85B FUEL OIL
 BTU/HR. INPUT 106,250 BTU/HR. OUTPUT 85,000
 SEASONAL EFFICIENCY 80.6% w/VENT DAMPER 85.0%
 TEMP. RISE 70° FLUE DIA. 6"
 FILTER SIZE (1) 16" x 25"
 APPROXIMATE SHIPPING WEIGHT 410 lbs.
 APPROXIMATE EFFECTIVE HEATING SURFACE 4,650 sq. in.
 AGENCY APPROVAL NO. UL MP2436
 ELECTRICAL RATING 115V 60HZ
 TOTAL CURRENT AMPS 12.8 MAX FUSE SIZE 15
 FAN CENTER EQUIPPED NO

BLOWER DATA

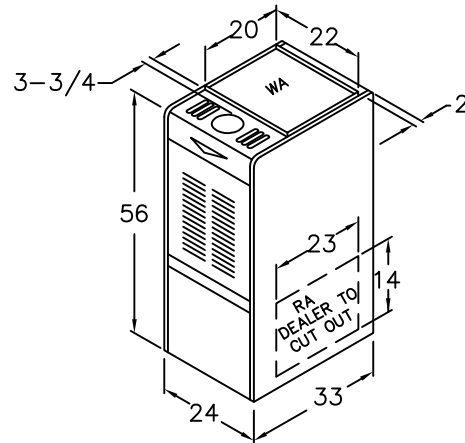
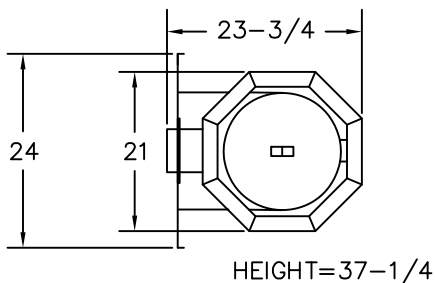
BLOWER MODEL 12-9T BD
 MOTOR H.P. 1/3
 BLOWER PULLEY 6x3/4
 MOTOR PULLEY 3-1/4x1/2
 BELT SIZE 36

BURNER DATA

BURNER MODEL BECKETT SPEC. NO. TP-101
 AIR TUBE LENGTH 7-3/4" HEAD F-3
 NOZZLE (GPH/ANGLE/TYPE) SHIPPED 0.75x80°A
 U.L. RATED 0.75x80°A
 REFRACTORY #5 PUMP PRESSURE (P.S.I.) 100

CLEARANCES

* MINIMUM CLEARANCES TO COMBUSTIBLE MATERIALS
 SIDES 1"
 FRONT (SERVICE ACCESS) 24"
 REAR 1"
 FLUE/VENT 18"
 TOP & SIDES OF PLENUM 1"



* APPROX. 51 FROM BASE OF UNIT TO CENTERLINE OF THE FLUE PIPE ON H.E.

SEE NEXT PAGE FOR MORE DATA —

ALTERATIONS REQ'D. FOR A/C @ .5" W.C. EXTERNAL STATIC PRESSURE

* COOLING UNIT	APPROX TONS	BLOWER MOTOR (HP)	PULLEYS		TURNS OPEN	BLOWER RPM'S (APPROX)	BELT SIZE
			BLOWER	MOTOR(VS)			
AC1024 AC1224	2	1/3	6x3/4	3-1/4x1/2	2	760	36
AC1030 AC1230	2.5	1/2	6x3/4	3-1/4x5/8	1/2	830	37
AC1036 AC1236	3	3/4	5x3/4	3-1/4x5/8	2	905	35
AC1042 AC1242	3.5	3/4	5x3/4	3-1/4x5/8	1	980	35
AC1048 AC1048 3	4	3/4	5x3/4	3-1/4x5/8	CLOSED	1060	35

