



TRJ-1, -2, -3 Roof Jack Installation Instructions

WARNING: Failure to comply with this procedure and the following instructions may result in fire, asphyxiation or carbon monoxide poisoning.

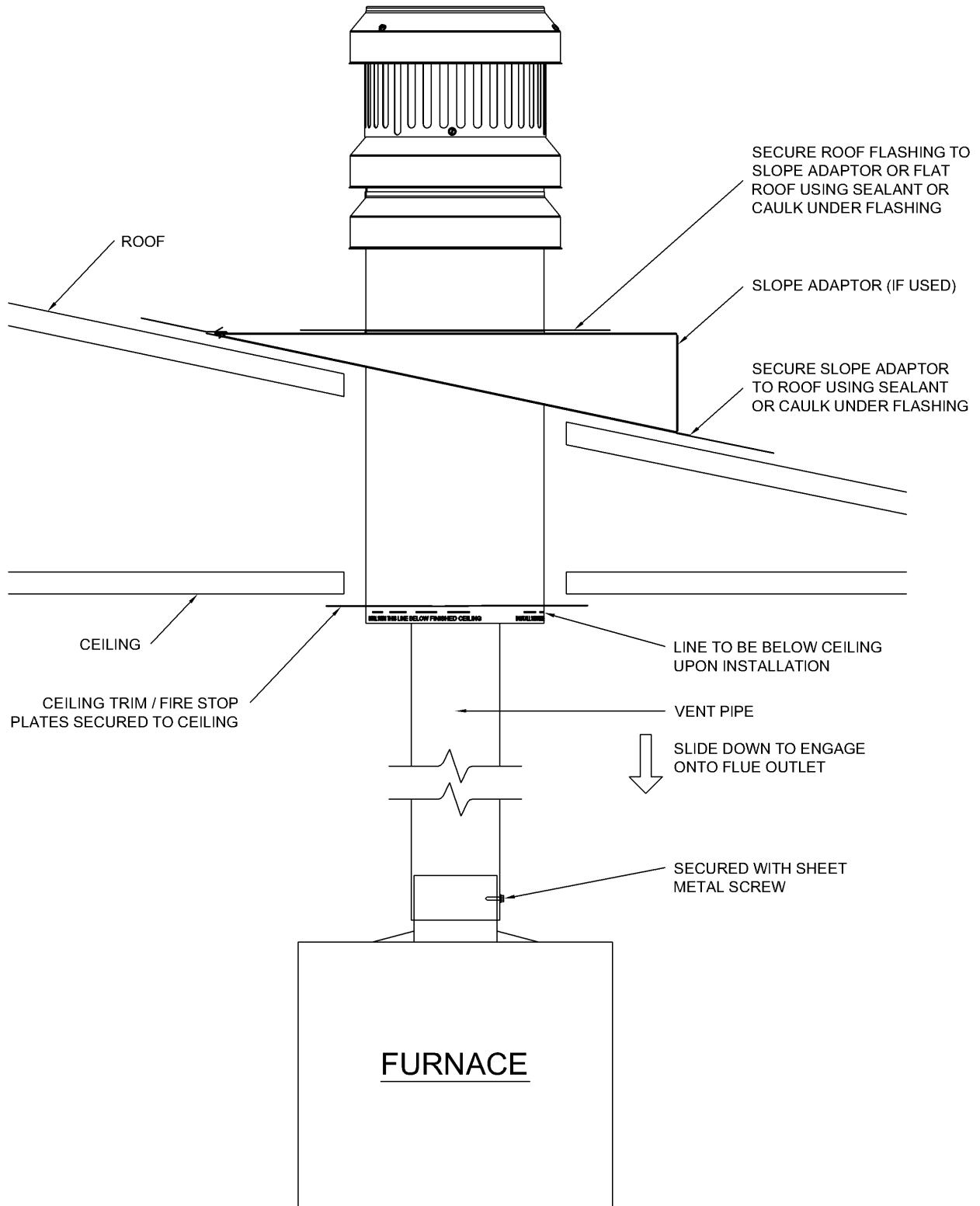
WARNING: The indicating line near the bottom of the roof jack must extend below the finished ceiling. The vent pipe must be attached to the furnace flue collar with a sheet metal screw. **DO NOT** install any elbows (adjustable or nonadjustable) or a stack damper in the venting system.

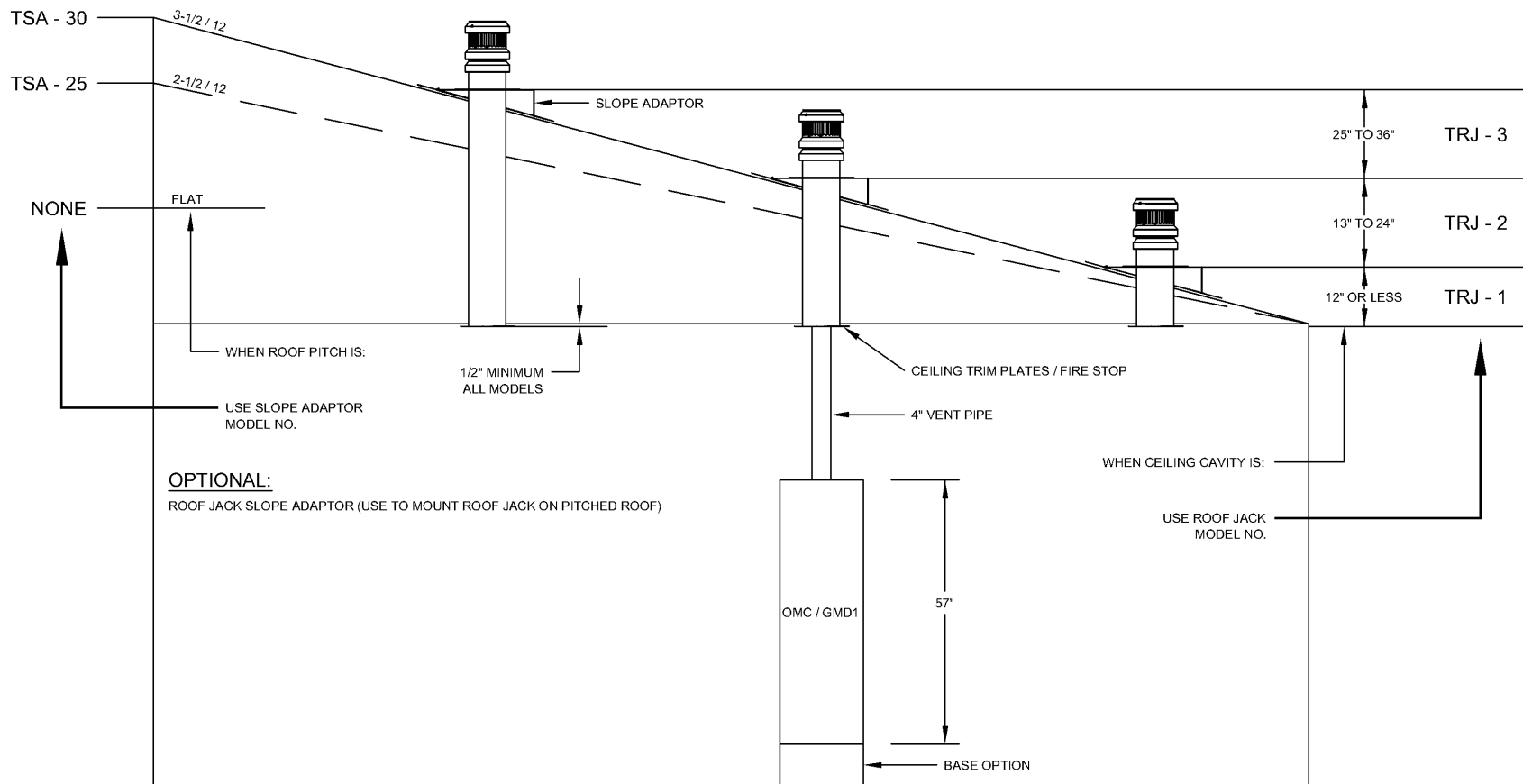
Notice: Care should be taken when locating the furnace and base to insure alignment of the furnace flue outlet with the roof jack to prevent misalignment that may cause hazardous operation or flue gas leakage.

Use only specified TRJ roof jack as identified on the furnace serial label.

- 1) Cut an approximate 8- ¼” diameter opening through the roof and ceiling directly in line with the flue connection on the top of the furnace.
- 2) A roof jack slope adaptor* is required for use on a pitched roof. Center the adaptor opening over the roof opening, use “all weather” sealant or caulking under the adaptor. Use roofing nails or screws on wood construction or sheet metal screws on metal roofs.
- 3) Insert the vent pipe into the bottom of the roof jack. Slide the pipe into the roof jack to a length that will allow a convenient reach to the connection at the top of the furnace.
- 4) Ease the roof jack assembly through the opening. The lower portion of the outer barrel must extend through the finished ceiling at least ½” as indicated on the barrel of the roof jack. Use “all weather” sealant or caulking on the roof or adaptor to seal under the flashing of the roof jack assembly.
- 5) Secure the roof jack to the roof through holes provided on the parameter of the flashing with appropriate fasteners.
- 6) Extend the vent pipe down to engage the flue on the top of the furnace. Secure with sheet metal screws. All joints and connections should be inspected before start up of the furnace for tight leak free joints.
- 7) Fasten the ceiling trim/fire stop plates around the upper barrel with four screws.

*Roof jack slope adaptor TSA-25 for slope of 2 ½ / 12; TSA-30 for slope of 3 / 12.





Base Options:

- Furnace Base Package for O.E.M. and Replacement installations in Mobile Homes Model No. 70-Base
- Furnace Base Package for Cottage Installations (No Ductwork) Model No. 01COT-Base
- Furnace Coil Cabinet Package (GMD1-80 Only) Installation 2-1/2 Ton Model No. CE111S
- Furnace Coil Cabinet Package (GMD1-80 Only) Installation 3 Ton * Model No. CE211T

* Use AOPS2677 Upgrade Kit