



**BLOWER & MOTOR UPGRADE KIT INSTRUCTIONS  
REPLACEMENT OF 1/3 HP MOTOR AND 10-9 BLOWER  
WITH A 1/2 HP MOTOR AND 12-9 BLOWER  
FOR THERMO PRIDE MOBILE HOME  
GAS FURNACES MODEL GMD1-80N  
MANUFACTURED AFTER 03/01/03**

**⚠️ WARNING**

THIS REPLACEMENT BLOWER AND MOTOR SHALL BE INSTALLED BY A QUALIFIED SERVICE AGENCY IN ACCORDANCE WITH THE MANUFACTURER'S INSTRUCTIONS AND ALL APPLICABLE CODES AND REQUIREMENTS OF THE AUTHORITY HAVING JURISDICTION. IF THE INFORMATION IN THESE INSTRUCTIONS IS NOT FOLLOWED EXACTLY, A FIRE OR EXPLOSION MAY RESULT, CAUSING PROPERTY DAMAGE, PERSONAL INJURY, OR LOSS OF LIFE.

## CONTENTS

<u>SECTION</u>	<u>BEGINNING PAGE</u>
I. REMOVAL OF ORIGINAL, 10-9R BLOWER	3
II. INSTALLING ADAPTER BRACKET	3
III. INSTALLATION OF 12-9T BLOWER	4
IV. FURNACE CHECK-OUT PROCEDURE	5
APPENDIX A - PARTS LISTS	5

### TOOLS & MATERIAL REQUIRED

- DRILL WITH 3/16" DIAMETER DRILL BIT
- STRAIGHT TIP SCREWDRIVER
- 1/4" NUT DRIVER
- NEEDLE NOSE PLIERS
- MASKING TAPE (OR WIRE MARKERS)

#### **AOPS2677 Parts List**

DESCRIPTION	PART #	QUANTITY
Blower Motor Assembly	S00S4138	1
Blower adapter plate	11636	1
#8 x 1/2" TEK Screw	300208	3
Instruction Manual	MG-1022	1

## **⚠ WARNING**

DO NOT INSTALL THIS KIT ON FURNACE WITH A DATE OF MANUFACTURE PRIOR TO 03/01/03. THE DATE OF MANUFACTURED IS ON THE RATING LABEL LOCATED ON THE INSIDE OF FURNACE BURNER COMPARTMENT.

### **SECTION I.**

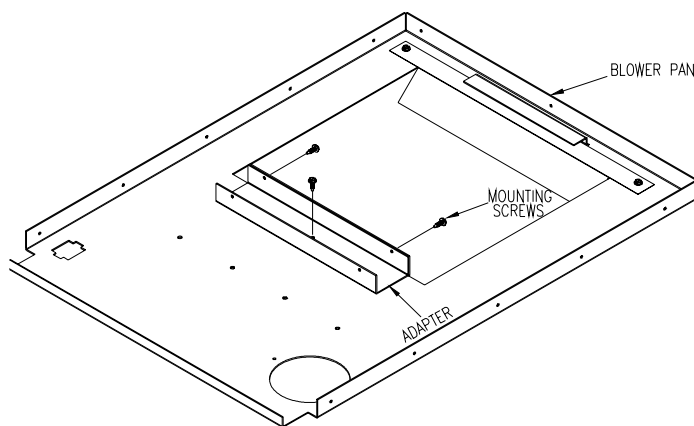
Removing 10-9 blower from furnace

1. Disconnect power from unit
2. Disconnect power supply black L1 and white L2 wire from W/R 50A65-143 Control Board LINE-H and LINE-N Terminals.
3. Disconnect Thermostat wires from Control Board. Mark each wire as to which terminal they are connected to.
4. Disconnect the 12-pin wire harness at the connection in the blower pan.
5. Remove the two screws from the base of the blower and remove blower from furnace. See figure 2.
6. Disconnect two red wires from aux. limit, remove the two screws from aux. limit, and remove limit from blower.
7. Disconnect blower motor supply Leads from Control board, and capacitor. Remove screw from blower motor ground wire.
8. Remove four screws from control panel and remove control panel assembly from blower.

### **SECTION II**

Attaching adapter mounting plate

1. Attach adapter mounting plate to blower pan by, aligning holes in adapter plate with holes in blower pan flange where blower was attached. Insert screws from the backside of flange. You may want to drill holes in blower pan flange to  $3/16"$ , to provide clearance for screws. See fig. 1. Insert screw thru hole in the center of the adapter to hold the adapter down on the blower pan.

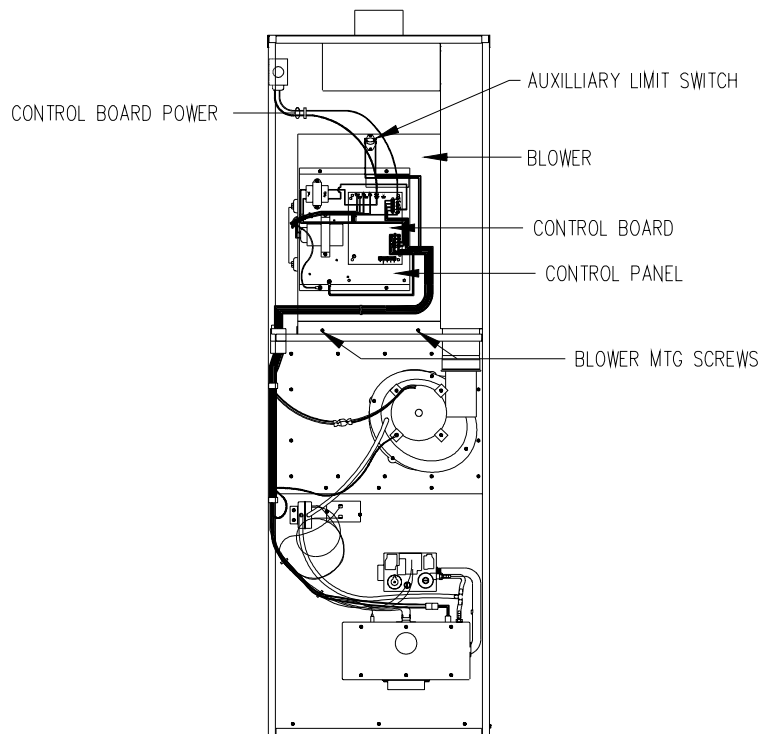


Attaching Adapter Mounting Plate  
Figure 1

### SECTION III

#### Installing 12-9 blower

1. Install control panel on blower using four screws removed from other blower. Predrilled holes are provided in the blower.
2. Install aux. limit using predrilled holes in blower and connect the two red wires from control board wire harness.
3. Connect blower motor supply leads to control board. White to CIR-N, Black to COOL-H, Blue to HEAT-H, Red and Yellow to Park. Connect two brown wires to capacitor. Reconnect blower ground wire (green) to control panel.
4. Slide blower assembly back into furnace, line up screw holes in the adaptor bracket, previously installed on blower pan, and install the two screws.
5. Reconnect 12-pin harness at blower pan.
6. Reconnect thermostat wires as disconnected in step #3 above.
7. Connect power supply wires to control board, black L1 to LINE-H, White L2 to LINE-N
8. Make sure all wires including ground wires are connected and tight. Turn power back on to furnace.



FRONT VIEW  
GMD1 UNIT W/  
FRONT DOOR  
REMOVED

Component Location  
Figure 2

**SECTION IV.**

Furnace Checkout Procedure

1. Refer to the GMD1-80 installation and service manual, MG-505 Furnace Checkout procedure to check furnace and controls for proper operation.

APPENDIX A - PARTS LISTS

These parts should be used as replacement parts when blower upgrade kit AOPS 2677 has been installed on the furnace.

<u>Part Description</u>	<u>Part No.</u>	<u>Qty</u>
Blower Motor	350573	1
Blower 12-9T	340042	1