

SPECIFICATIONS

MODEL OH3-72B FUEL OIL
 BTU/HR. INPUT 90,000 BTU/HR. OUTPUT 72,000
 SEASONAL EFFICIENCY 78.1% w/VENT DAMPER 80.5%
 * TEMP. RISE 70° FLUE DIA. 6"
 FILTER SIZE (1) 16" x 20"
 APPROXIMATE SHIPPING WEIGHT 365 lbs.
 APPROXIMATE EFFECTIVE HEATING SURFACE 3,320 sq. in.
 AGENCY APPROVAL NO. UL MP2436
 ELECTRICAL RATING 115V 60HZ
 TOTAL CURRENT AMPS 12.8 MAX FUSE SIZE 15
 FAN CENTER EQUIPPED NO

BLOWER DATA

BLOWER MODEL 9-9 BD
 MOTOR H.P. 1/3
 BLOWER PULLEY 5x3/4
 MOTOR PULLEY 3-1/4x1/2
 BELT SIZE 33

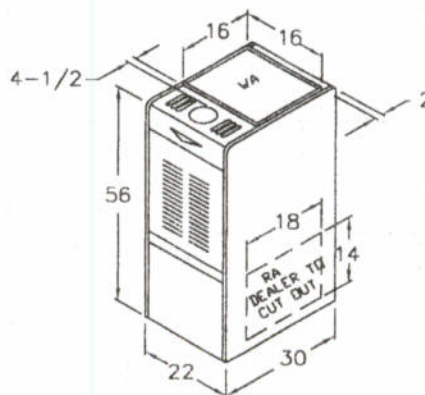
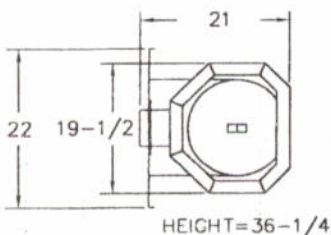
BURNER DATA

BURNER MODEL BECKETT SPEC. NO. TP-101
 AIR TUBE LENGTH 7-3/4" HEAD F-3
 NOZZLE (GPH/ANGLE/TYPER) SHIPPED 0.65x80°A
 U.L. RATED 0.65x80°A
 REFRACTORY #5 PUMP PRESSURE (P.S.I.) 100

CLEARANCES

MINIMUM CLEARANCES TO COMBUSTIBLE MATERIALS

SIDES 6"
 FRONT (SERVICE ACCESS) 24"
 REAR 6"
 FLUE/VENT 18"
 TOP & SIDES OF PLENUM 2"



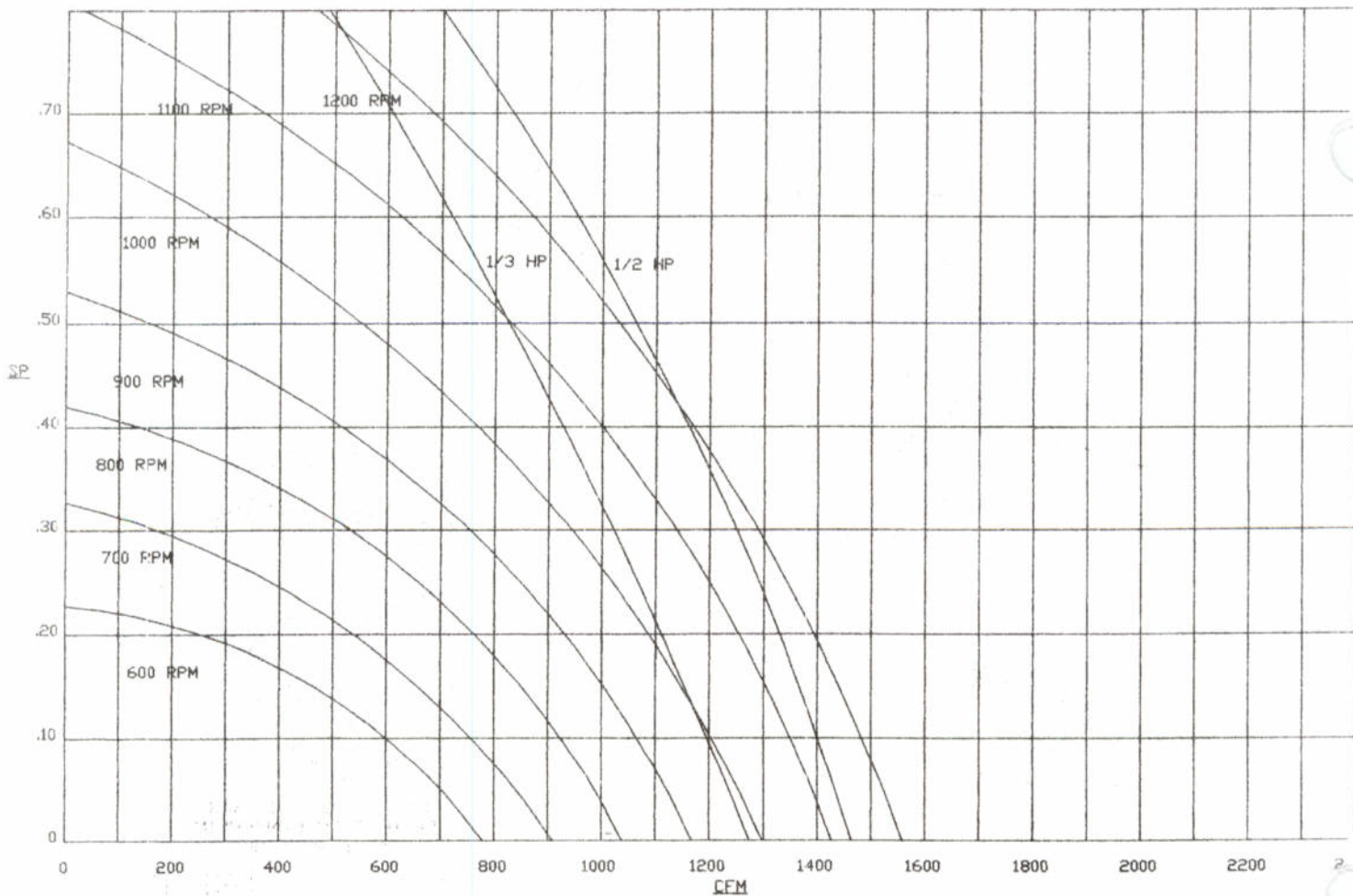
APPROX. 49 FROM BASE OF UNIT TO CENTERLINE OF THE FLUE PIPE ON H.E.

SEE NEXT PAGE FOR MORE DATA -

S-OH3B

ALTERATIONS REQ'D. FOR A/C @ .5" W.C. EXTERNAL STATIC PRESSURE

* COOLING UNIT	APPROX TONS	BLOWER MOTOR (HP)	PULLEYS		TURNS OPEN	BLOWER RPM'S (APPROX)	BELT SIZE
			BLOWER	MOTOR(VS)			
AC1024 AC1224	2	1/3	5x3/4	3-1/4x1/2	1/2	1100	33
AC1030 AC1230	2.5	1/2	5x3/4	3-1/4x5/8	CLOSED	1190	34



SPECIFICATIONS

MODEL OH3-72D FUEL OIL
 BTU/HR. INPUT 90,000 BTU/HR. OUTPUT 72,000
 SEASONAL EFFICIENCY 78.1% w/VENT DAMPER 30.5%
 TEMP. RISE 70° FLUE DIA. 5"
 FILTER SIZE (1) 16" x 20"
 APPROXIMATE SHIPPING WEIGHT 365 lbs.
 APPROXIMATE EFFECTIVE HEATING SURFACE 3,320 sq. in.
 AGENCY APPROVAL NO. UL MP2436
 ELECTRICAL RATING 115V 60HZ
 TOTAL CURRENT AMPS 13.8 MAX FUSE SIZE 20
 FAN CENTER EQUIPPED YES

BLOWER DATA

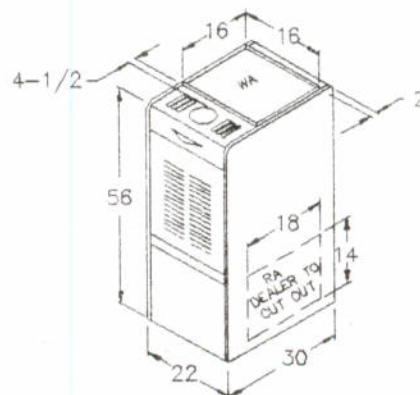
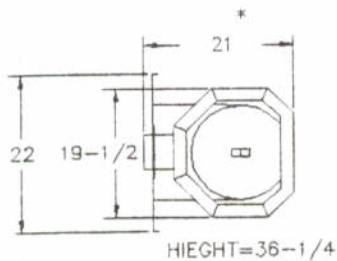
BLOWER MODEL 9-9 DD
 MOTOR H.P. 1/2

BURNER DATA

BURNER MODEL BECKETT SPEC. NO. TP-101
 AIR TUBE LENGTH 7-3/4" HEAD F-3
 NOZZLE (GPH/ANGLE/TYPE) SHIPPED 0.65x80°A
 U.L. RATED 0.65x80°A
 REFRACTORY #5 PUMP PRESSURE (P.S.I.) 100

CLEARANCES

MINIMUM CLEARANCES TO COMBUSTIBLE MATERIALS
 SIDES 6"
 FRONT (SERVICE ACCESS) 24"
 REAR 6"
 FLUE/VENT 18"
 TOP & SIDES OF PLENUM 2"



APPROX. 49 FROM BASE
 OF UNIT TO CENTERLINE OF
 THE FLUE PIPE ON H.E.

SEE NEXT PAGE FOR MORE DATA -

S-OH3D

ALTERATIONS REQ'D. FOR A/C @ .5" W.C. EXTERNAL STATIC PRESSURE					
COOLING UNIT	APPROX TONS	BLOWER MOTOR H.P.	BLOWER SPEED		TEMP. RISE
			HTG.	CLG.	HTG.
N/A	1.5	1/2 HP 4 SPEED	HIGH	MED-HI	76°
AC1024 AC1224	2	1/2 HP 4 SPEED	HIGH	LOW	83°

AIR PERFORMANCE (CFM)					
E.S.P. WC SPEED	.2	.3	.4	.5	.6
LOW	728	701	670	585	551
MED/LOW	897	848	745	685	639
MED/HIGH	997	940	867	770	735
HIGH	1113	1029	968	876	795

