

SPECIFICATIONS

MODEL OH2-56B FUEL OIL
 BTU/HR. INPUT 70,000 BTU/HR. OUTPUT 56,000
 SEASONAL EFFICIENCY 80.7% w/VENT DAMPER 83.7%
 ■ TEMP. RISE 70° FLUE DIA. 5"
 FILTER SIZE (1) 16" x 20"
 APPROXIMATE SHIPPING WEIGHT 300 lbs.
 APPROXIMATE EFFECTIVE HEATING SURFACE 2721.6 sq. in.
 AGENCY APPROVAL NO. UL MP2436
 ELECTRICAL RATING 115V 60HZ
 TOTAL CURRENT AMPS 12.8 MAX FUSE SIZE 15
 FAN CENTER EQUIPPED NO

BLOWER DATA

BLOWER MODEL 9-9 BD
 MOTOR H.P. 1/3
 BLOWER PULLEY 5x3/4
 MOTOR PULLEY 3-1/4x1/2
 BELT SIZE 33

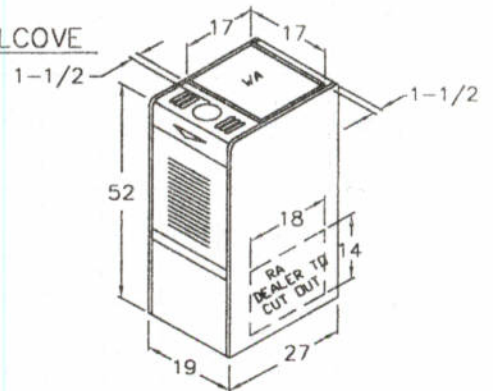
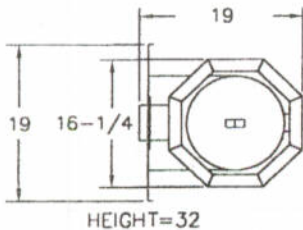
BURNER DATA

BURNER MODEL BECKETT SPEC. NO. TP-1401
 AIR TUBE LENGTH 3-5/8" HEAD F-0
 NOZZLE (GPH/ANGLE/TYPER) SHIPPED 0.50x70°A
 U.L. RATED 0.55x70°A
 REFRACTORY #2 PUMP PRESSURE (P.S.I.) 120

CLEARANCES

MINIMUM CLEARANCES TO COMBUSTIBLE MATERIALS

SIDES 2"
 FRONT (SERVICE ACCESS) 8" CLOSET, 18" ALCOVE
 REAR 1"
 FLUE/VENT 9"
 TOP & SIDES OF PLENUM 3"



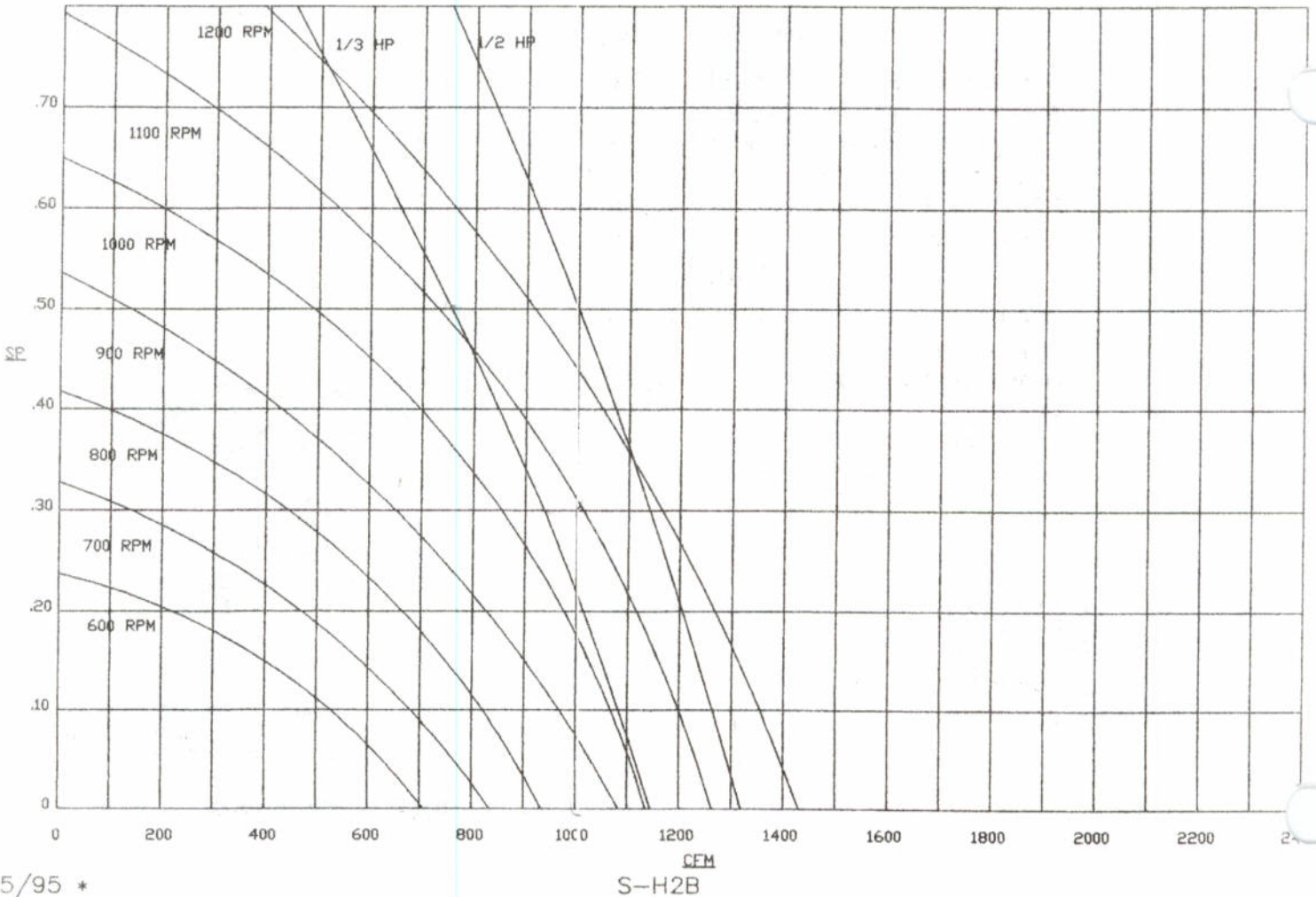
* APPROX. 46-1/2 FROM BASE OF UNIT TO CENTERLINE OF THE FLUE PIPE ON H.E.

SEE NEXT PAGE FOR MORE DATA -

S-OH2B

ALTERATIONS REQ'D. FOR A/C @ .5" W.C. EXTERNAL STATIC PRESSURE

* COOLING UNIT	APPROX TONS	BLOWER MOTOR (HP)	PULLEYS		TURNS OPEN	BLOWER RPM'S (APPROX)	BELT SIZE
			BLOWER	MOTOR(VS)			
AC1024 AC1224	2 ^{7/8}	1/3	5x3/4	3-1/4x1/2	1/2	1100	33
AC1030 AC1230	2.5	1/2	5x3/4	3-1/4x5/8	CLOSED	1190	34



SPECIFICATIONS

MODEL OH2-56D FUEL Oil
 BTU/HR. INPUT 70,000 BTU/HR. OUTPUT 56,000
 SEASONAL EFFICIENCY 30.7% w/ VENT DAMPER 33.7%
 TEMP. RISE 70° FLUE DIA. 5"
 FILTER SIZE (1) 16" x 20"
 APPROXIMATE SHIPPING WEIGHT 300 bs.
 APPROXIMATE EFFECTIVE HEATING SURFACE 2721.6 sq. in.
 AGENCY APPROVAL NO. UL MP2436
 ELECTRICAL RATING 115V 60HZ
 TOTAL CURRENT AMPS 13.8 MAX FUSE SIZE 20
 FAN CENTER EQUIPPED YES

BLOWER DATA

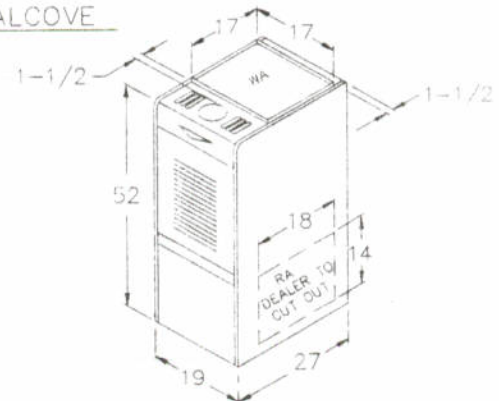
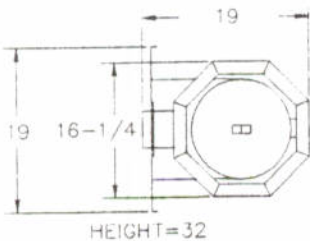
BLOWER MODEL 10-9 DD
 MOTOR H.P. 1/2

BURNER DATA

BURNER MODEL BECKETT SPEC. NO. TP-1401 *
 AIR TUBE LENGTH 3-5/8" HEAD F-0
 NOZZLE (GPH/ANGLE/TYPER) SHIPPED 0.50x70°A
 U.L. RATED 0.55x70°A
 REFRACTORY #2 PUMP PRESSURE (P.S.I.) 120

CLEARANCES

MINIMUM CLEARANCES TO COMBUSTIBLE MATERIALS
 SIDES 2"
 FRONT (SERVICE ACCESS) 8" CLOSET, 18" ALCOVE
 REAR 1"
 FLUE/VENT 9"
 TOP & SIDES OF PLENUM 3"



* APPROX. 46-1/2 FROM BASE OF UNIT TO CENTERLINE OF THE FLUE PIPE ON H.E.

SEE NEXT PAGE FOR MORE DATA -

S-OH2D

ALTERATIONS REQ'D. FOR A/C @ .5" W.C. EXTERNAL STATIC PRESSURE					
COOLING UNIT	APPROX TONS	BLOWER MOTOR H.P.	BLOWER SPEED		TEMP. RISE
			HTG.	CLG.	HTG.
N/A	1-1/2	1/2 HP 4 SPEED	LOW	LOW	83°
AC1024 AC1224	2	1/2 HP 4 SPEED	LOW	MED-LO	77°
AC1030 AC1230	2.5	1/2 HP 4 SPEED	LOW	MED-HI	75°
AC1036 AC1236	3	1/2 HP 4 SPEED	LOW	HIGH	73°

AIR PERFORMANCE (CFM)					
E.S.P. WC SPEED	.2	.3	.4	.5	.6
LOW	734	710	669	608	572
MED/LOW	916	887	857	801	714
MED/HIGH	1120	1092	1040	992	902
HIGH	1371	1315	1246	1172	1090

