



## GAS-FIRED CONDENSING MOBILE HOME FURNACE DOWN FLOW & DIRECT VENT (SEALED COMBUSTION) FURNACE SPECIFICATIONS

MODEL NO.	CMA1-50		CMA2-75	
HEAT INPUT RATE (BTUH)	50,000		75,000	
OUTPUT (BTUH) <sup>1</sup>	48,000		72,000	
SEASONAL EFFICIENCY <sup>2</sup>	95%		95%	
LARGEST REC A/C <sup>3</sup>	3 TONS		3 TONS	
FUEL	NAT	LP	NAT	LP
BURNER ORIFICE	#42	1.5mm	#42	1.5mm
GAS SUPPLY PRESSURE (IN W.G.)				
MINIMUM REQUIRED	5.5	11	5.5	11
MAXIMUM ALLOWED	14	14	14	14
GAS MANIFOLD PRESSURE (IN W.G.)	3.5±0.3	10±0.3	3.5±0.3	10±0.3
NOMINAL TEMP. RISE	60°		60°	
VENT PIPE SIZE (IN.)	2" PVC		2" PVC	
CASING HEIGHT (IN.)	57"		57"	
CASING WIDTH (IN.)	18"		18"	
CASING DEPTH (IN.)	25 3/4"		25 3/4"	
APPROX. SHIPPING WEIGHT (LBS.)	175 LBS.		175 LBS.	
APPROVAL AGENCY	ETL		ETL	
SIZE OF PERM. FILTER	18" X 24"		18" X 24"	
ELECTRICAL REQUIREMENTS	115 VAC/ 60 HZ/ 1 PHASE		115 VAC/ 60 HZ/ 1 PHASE	
MAX FUSE SIZE	15 AMPS		15 AMPS	
TOTAL RATED CURRENT AMPS.	7.15		7.15	
SUPPLY AIR OUTLET SIZE (W-IN X D-IN)	12" X 12"		12" X 12"	
NOMINAL HEAT ANTICIPATOR SETTING	0.8mA		0.8mA	
	<b>ACCESSORY ITEMS</b>			
PROGRAMMABLE T-STAT STD/DELUXE	350164 / 350165		350164 / 350165	
MOBILE HOME BASE	70BASE		70BASE	
COTTAGE BASE	01COT-BASE		01COT-BASE	
COIL CABINET FOR 2 TON	CE113S		CE113S	
COIL CABINET FOR 2.5 & 3 TON	CE213T		CE213T	
CONCENTRIC VENT KIT	AOPS7483		AOPS7483	
DUAL PIPE FLASHING KIT	AOPS7484		AOPS7484	
BAYVENT SIDE WALL VENT KIT	370191		370191	
SLOPE ADAPTER 2-1/2 / 12	TSA-25		TSA-25	
SLOPE ADAPTER 3-1/2 / 12	TSA-30		TSA-30	
MINI CONDENSATE PUMP	350224		350224	
NEUTRALIZING KIT	320095		320095	
5" ROOF JACK ADAPTER	AOPS7500		AOPS7500	

<sup>1</sup> OUTPUT BTUH BASED ON ANNUAL FUEL UTILIZATION EFFICIENCY RATED BY MANUFACTURER.

<sup>2</sup> SEASONAL EFFICIENCY (ALSO CALLED AFUE-ANNUAL FUEL UTILIZATION EFFICIENCY) RATINGS ARE BASED ON TEST FOLLOWING U.S. DEPARTMENT OF ENERGY TEST PROCEDURES.

<sup>3</sup> TO PERMIT LARGEST RECOMMENDED AIR CONDITIONING (AT .5 STATIC PRESSURE), SELECTION OF THE HIGHEST MOTOR SPEED IS REQUIRED.

- SEE NEXT PAGE FOR MORE DATA -

<b>MODEL NUMBER DIGIT</b>	<b>1</b>	<b>2</b>	<b>3</b>	<b>4</b>	<b>5</b>	<b>6</b>		<b>7</b>
	<b>FUEL</b>	<b>MOBILE HOME</b>	<b>CONFIGURATION</b>	<b>VERSION</b>		<b>INPUT</b>		<b>FUEL TYPE</b>
<b>GAS FURNACE MODEL NOMENCLATURE EXAMPLE MODEL NUMBERS</b>	<b>C</b>	<b>M</b>	<b>A</b>	<b>1</b>	<b>-</b>	<b>5</b>	<b>0</b>	<b>N</b>
	<b>C</b>	<b>M</b>	<b>A</b>	<b>2</b>	<b>-</b>	<b>7</b>	<b>5</b>	<b>N</b>
<b>C=CONDENSING</b>	<b>C</b>							
<b>M= MOBILE HOME</b>		<b>M</b>						
<b>D= DOWNFLOW</b>			<b>A</b>					
<b>1= VERSION</b>				<b>2</b>				
					<b>-</b>			
<b>INPUT IN MBTUH (1000'S)</b>						<b>7</b>	<b>5</b>	
<b>N= NATURAL GAS L= LIQUID PROPANE</b>								<b>N</b>

- SEE NEXT PAGE FOR MORE DATA -

## GAS FIRED CONDENSING MOBILE HOME FURNACE SPECIFICATIONS

### CLEARANCES TO COMBUSTIBLES

<b>MODELS: CMA2-75</b>	<b>CLOSET</b>	<b>ALCOVE</b>
<b>FRONT</b>	6"	18"
<b>BACK</b>	0"	0"
<b>SIDES</b>	0"	0"
<b>VENT CONNECTOR (PVC)</b>	0"	0"
<b>TOP</b>	0"	0"
<b>PLENUM SIDES</b>	1"	1"
<b>TOP AND SIDES OF DUCT</b>	1"	1"
<b>BOTTOM DUCT</b>	1"	1"

### BLOWER DATA

<b>FURNACE MODEL</b>	<b>CMA1-50</b>	<b>CMA2-75</b>
<b>BLOWER MODEL</b>	12-9T	12-9T
<b>MOTOR H.P.</b>	½ HP	½ HP
<b>NO. OF SPEEDS</b>	4	4
<b>HIGH SPEED AIRFLOW (SCFM) @ 0.5 IN. W.G. EXTERNAL STATIC PRESSURE</b>	1162	1259
<b>DIAMETER X WIDTH</b>	12 X 9	12 X 9

- SEE NEXT PAGE FOR MORE DATA -

# GAS FIRED CONDENSING MOBILE HOME FURNACE SPECIFICATIONS

## CMA1-50

ALTERATIONS REQ'D FOR A/C @ DESIGN EXTERNAL STATIC PRESSURE		
COOLING UNIT	HTG Speed	Recommended CLG Speed
24,000	LOW	MED-LOW
30,000	LOW	MED-HIGH
36,000	LOW	HIGH

Speed Tap \ Static Pressure	Furnace Airflow (CFM) vs. External Static pressure (in. WC.)						
	0.1	0.2	0.3	0.4	0.5	0.6	0.7
<b>Low</b>	836	805	773	743	695	620	566
<b>ML</b>	1044	1010	972	914	860	826	752
<b>MH</b>	1250	1196	1146	1101	1038	977	902
<b>High</b>	1339	1338	1283	1233	1162	1086	1008

Speed Tap \ Static Pressure	Temperature Rise vs. External Static Pressure (in. WC.)						
	0.1	0.2	0.3	0.4	0.5	0.6	0.7
<b>Low</b>	53	55	57	59	63	71	78
<b>ML</b>	42	44	45	48	51	53	59
<b>MH</b>	35	37	38	40	42	45	49
<b>High</b>	31	33	34	36	38	41	44

Speed Tap \ Static Pressure	Blower Motor Current Draw (Amps) vs. External Static pressure (in. WC.)						
	0.1	0.2	0.3	0.4	0.5	0.6	0.7
<b>Low</b>	3.3	3.2	3.1	3.0	2.9	2.7	2.6
<b>ML</b>	4.0	3.8	3.6	3.5	3.4	3.2	3.1
<b>MH</b>	4.6	4.4	4.2	4.1	4.0	3.8	3.6
<b>High</b>	5.3	5.1	5.0	4.9	4.7	4.6	4.4

Speed Tap \ Static Pressure	Blower Motor Watts vs. External Static pressure (in. WC.)						
	0.1	0.2	0.3	0.4	0.5	0.6	0.7
<b>Low</b>	315	311	304	300	292	281	275
<b>ML</b>	400	390	376	363	351	342	330
<b>MH</b>	485	467	452	441	427	412	394
<b>High</b>	573	555	544	530	513	493	477

= Recommended operation range

- SEE NEXT PAGE FOR MORE DATA -

# GAS FIRED CONDENSING MOBILE HOME FURNACE SPECIFICATIONS

## CMA2-75

ALTERATIONS REQ'D FOR A/C @ DESIGN EXTERNAL STATIC PRESSURE		
COOLING UNIT	HTG Speed	Recommended CLG Speed
24,000	MED-LOW	MED-LOW
30,000	MED-LOW	MED-HIGH
36,000	MED-LOW	HIGH

Speed Tap \ Static Pressure	Furnace Airflow (CFM) vs. External Static pressure (in. WC.)						
	0.1	0.2	0.3	0.4	0.5	0.6	0.7
<b>Low</b>	817	797	773	730	668	620	555
<b>ML</b>	1019	995	959	918	869	821	760
<b>MH</b>	1257	1210	1174	1125	1076	1024	959
<b>High</b>	1470	1420	1366	1312	1259	1196	1127

Speed Tap \ Static Pressure	Temperature Rise vs. External Static Pressure (in. WC.)						
	0.1	0.2	0.3	0.4	0.5	0.6	0.7
<b>Low</b>	81	83	85	90	90	106	119
<b>ML</b>	65	66	69	72	76	80	87
<b>MH</b>	52	55	56	59	61	64	69
<b>High</b>	45	46	48	50	52	55	59

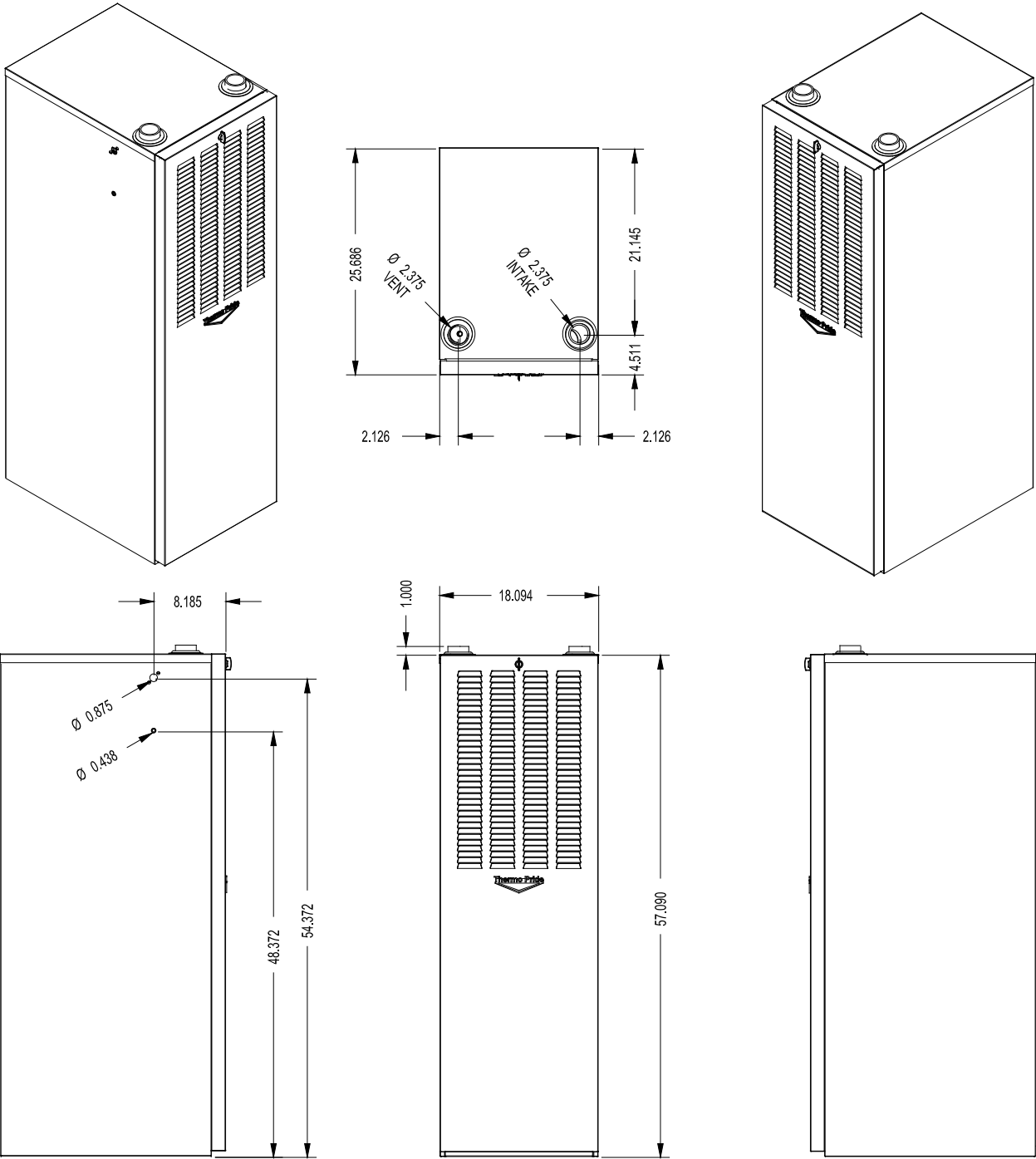
Speed Tap \ Static Pressure	Blower Motor Current Draw (Amps) vs. External Static pressure (in. WC.)						
	0.1	0.2	0.3	0.4	0.5	0.6	0.7
<b>Low</b>	3.1	3.0	2.9	2.8	2.7	2.6	2.5
<b>ML</b>	3.9	3.8	3.6	3.5	3.3	3.2	3.1
<b>MH</b>	4.8	4.6	4.4	4.2	4.1	4.0	3.8
<b>High</b>	5.7	5.5	5.4	5.2	5.1	5.0	4.8

Speed Tap \ Static Pressure	Blower Motor Watts vs. External Static pressure (in. WC.)						
	0.1	0.2	0.3	0.4	0.5	0.6	0.7
<b>Low</b>	312	303	298	291	280	273	264
<b>ML</b>	400	390	381	366	354	342	330
<b>MH</b>	513	490	478	462	447	432	413
<b>High</b>	624	605	591	573	556	542	522

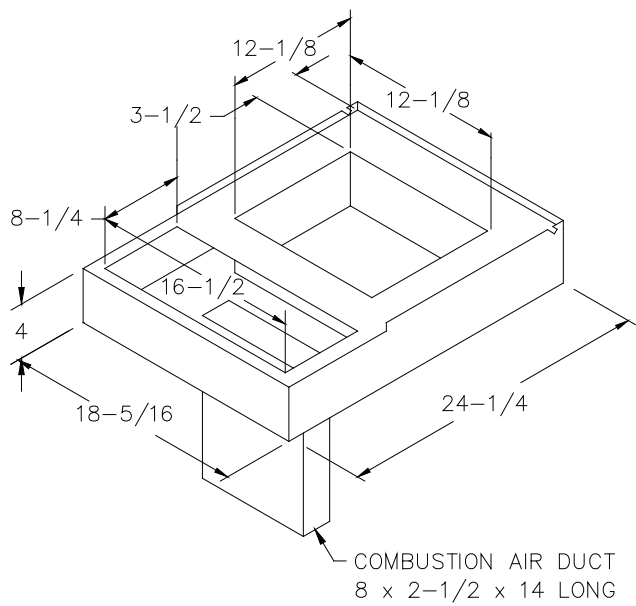
= Recommended operation range

- SEE NEXT PAGE FOR MORE DATA -

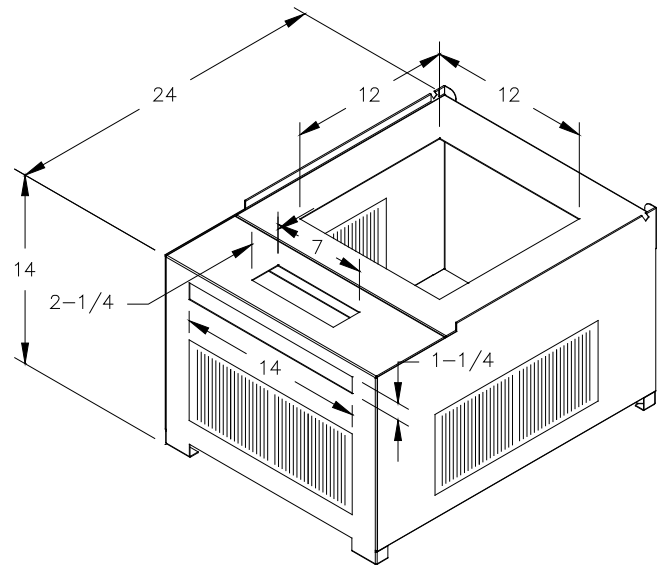
# GAS FIRED CONDENSING MOBILE HOME FURNACE SPECIFICATIONS CMA



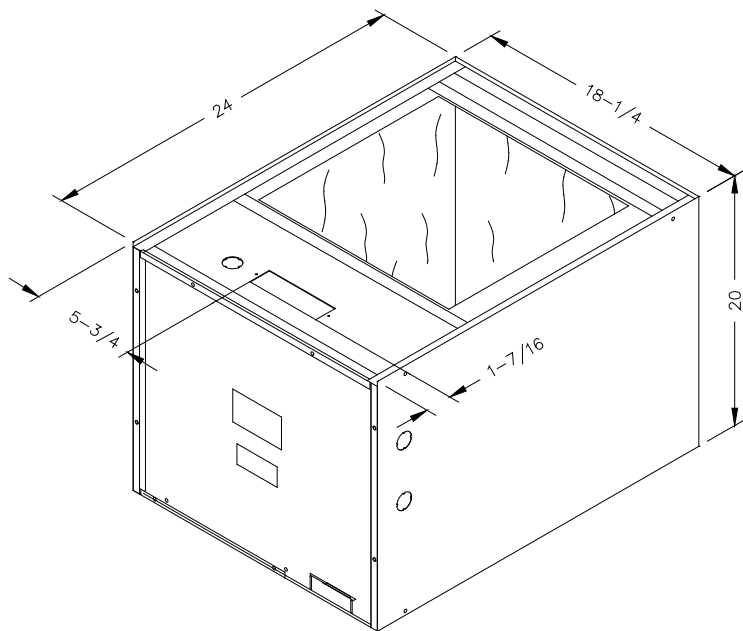
- SEE NEXT PAGE FOR MORE DATA -



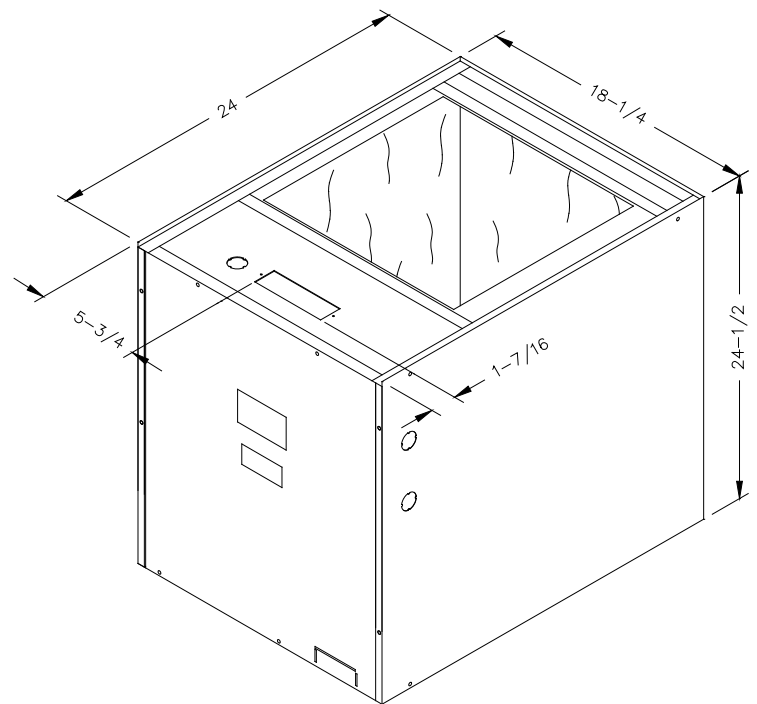
**Combustible Floor Base Model: 70-BASE**



**Cottage Base Model: 01COT-BASE**



**Coil Cabinet Model: CE113S**



**Coil Cabinet Model: CE213T**

- SEE NEXT PAGE FOR MORE DATA -

## GAS FIRED CONDENSING MOBILE HOME FURNACE SPECIFICATIONS

### A/C EVAPORATOR COIL APPLICATION

FURNACE MODEL	CONDENSER MODEL	LINE SET MODEL	COIL CABINET MODEL	EVAPORATOR COIL MODEL	SEER	EER	TOTAL (BTU/HR) HEAT REMOVAL	SENSIBLE HEAT REMOVAL
CMA1-50N CMA2-75N	AC14241G2	LS01E-30 LS01E-50	CE113S	13U2430AB15	13.70	11.75	23,600	0.730
			CE113S	13U3030AB15	14.00	11.85	23,800	0.733
			CE213T	13U3036AB17	14.40	12.15	24,400	0.739
	AC14301G2	LS01E-30 LS01E-50	CE113S	13U2430AB15	13.70	11.90	28,000	0.737
			CE113S	13U3030AB15	14.00	12.05	28,400	0.739
			CE213T	13U3036AB17	14.50	12.40	29,200	0.746
	AC14361G2	LS03E-30 LS03E-50	CE113S	13U2430AB15	13.40	11.50	32,600	0.736
			CE113S	13U3030AB15	13.70	11.70	33,200	0.740
			CE213T	13U3036AB17	14.00	11.95	34,000	0.750

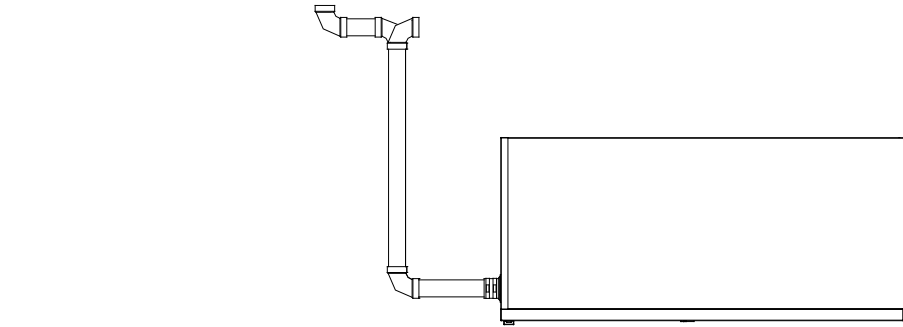
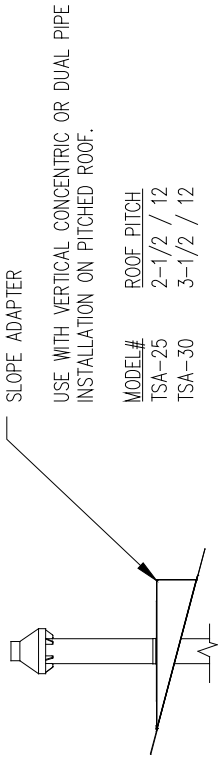
Rev: 3/31/11

- SEE NEXT PAGE FOR MORE DATA -

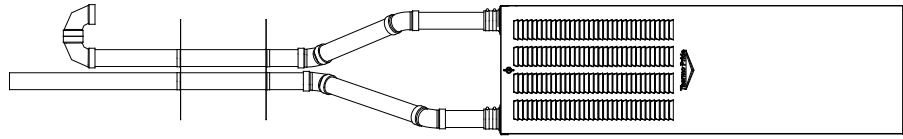


# GAS FIRED CONDENSING MOBILE HOME FURNACE SPECIFICATIONS

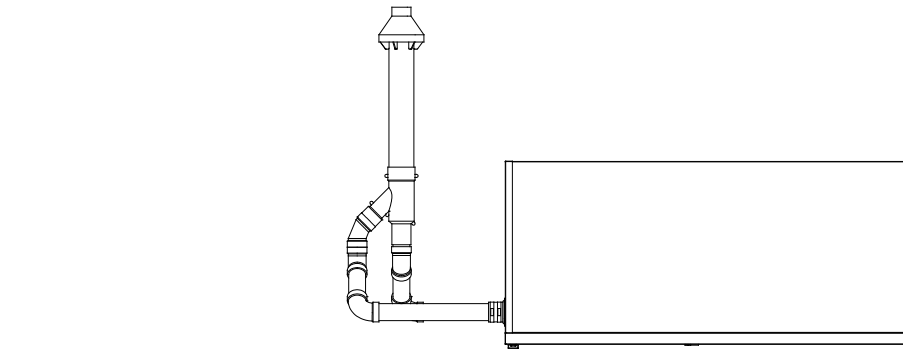
## VENT OPTIONS



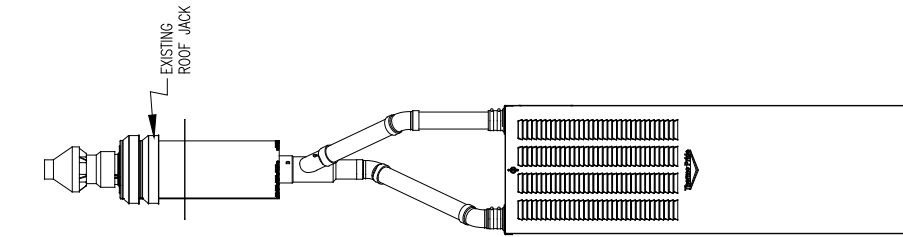
(HORIZONTAL DUAL PIPE)  
FIELD SUPPLIED COMPONENTS



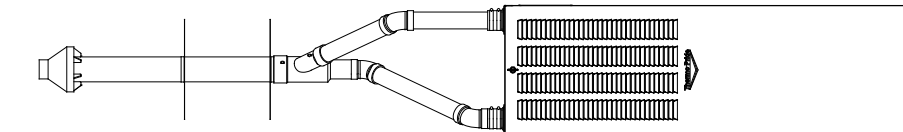
(VERTICAL DUAL PIPE)  
DUAL PIPE FLASHING KIT# AOPST484



(HORIZONTAL)



(ROOF JACK RETROFIT)



(VERTICAL)

CONCENTRIC VENT KIT# AOPST483