



OIL-FIRED MOBILE HOME FURNACE SPECIFICATIONS

MODEL NO.	OMD-70
HEAT INPUT RATE (BTUH)	85,000
OUTPUT (BTUH) ¹	71,000
SEASONAL EFFICIENCY ²	84%
FUEL	#2 FUEL OIL
NOMINAL TEMP. RISE	85°
CASING HEIGHT (IN.)	57"
CASING WIDTH (IN.)	18"
CASING DEPTH (IN.)	24"
FLUE DIAMETER (IN.)	4"
NOMINAL FLUE OUTLET DIAMETER (IN.)	4"
APPROX. SHIPPING WEIGHT (LBS.)	240 LBS.
APPROVAL AGENCY	UL MP3241
SIZE & QTY OF PERM. FILTER	(2) 14" X 18" X 1"
ELECTRICAL REQUIREMENTS	115 VAC/ 60 HZ/ 1 PHASE
MAX FUSE SIZE	15 AMPS
TOTAL RATED CURRENT AMPS.	11
SUPPLY AIR OUTLET SIZE (W-IN X D-IN)	12" X 12"
RETURN AIR INLET OPENING SIZE	14" X 25" (LOUVERED)
NOMINAL HEAT ANTICIPATOR SETTING	0.2 MILLIAMP
	ACCESSORY ITEMS
PROGRAMMABLE T-STAT	350510
MOBILE HOME BASE	NO. 70BASE
COTTAGE BASE	OMCCOT-BASE
ROOF JACK 12" OR LESS	TRJ-1
ROOF JACK 13" TO 24"	TRJ-2
ROOF JACK 25" TO 36"	TRJ-3
SLOPE ADAPTOR 2-1/2-12	TSA-25
SLOPE ADAPTOR 3-1/2-12	TSA-30
COMBUSTION AIR INTAKE HOOD	AOPS7402
BLOCKED VENT KIT ³	AOPS2686

- SEE NEXT PAGE FOR MORE DATA -

¹ OUTPUT BTUH BASED ON ANNUAL FUEL UTILIZATION EFFICIENCY RATED BY MANUFACTURER.

² SEASONAL EFFICIENCY (ALSO CALLED AFUE-ANNUAL FUEL UTILIZATION EFFICIENCY) RATINGS ARE BASED ON TESTS FOLLOWING U.S. DEPARTMENT OF ENERGY TEST PROCEDURES.

³ NOT TO BE USED IN MOBILE HOME APPLICATIONS WITH A ROOF-JACK.

CLEARANCES TO COMBUSTIBLES

MODEL: OMD-70	CLOSET	ALCOVE
FRONT	6"	18"
BACK	0"	0"
SIDES	0"	0"
ROOF JACK	0"	0"
VENT CONNECTOR	6"	6"
TOP	1"	1"
PLENUM SIDES	1"	1"
TOP AND SIDES OF DUCT	1"	1"
BOTTOM DUCT	1"	1"

BLOWER DATA

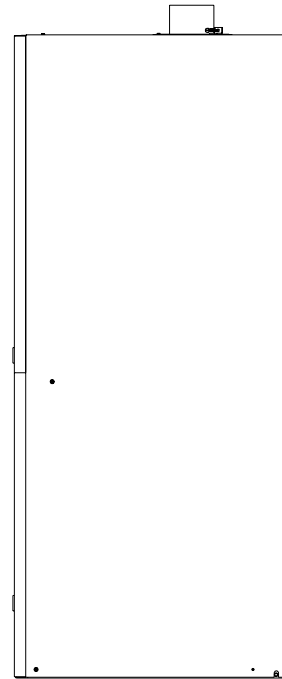
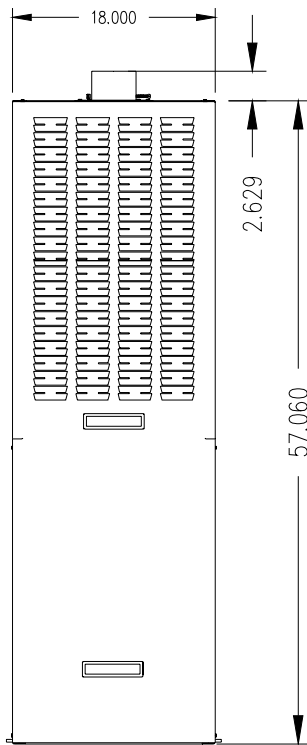
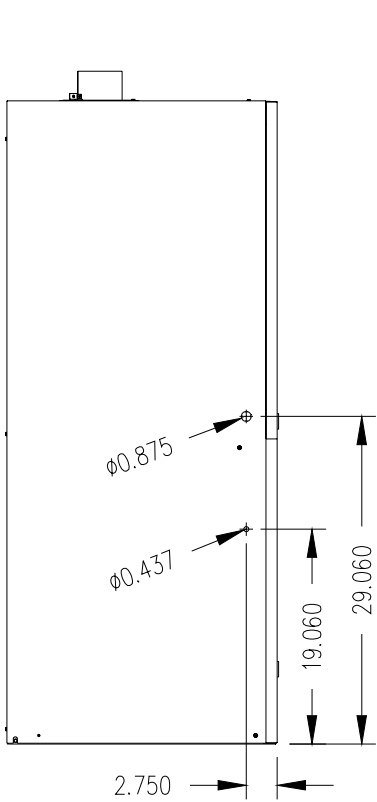
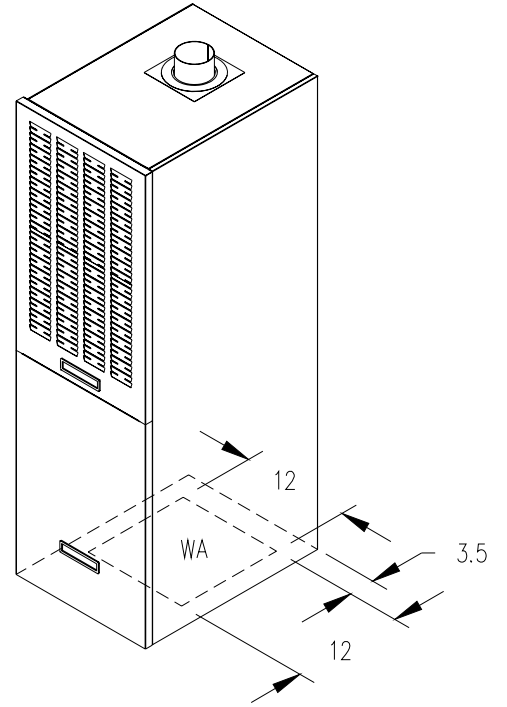
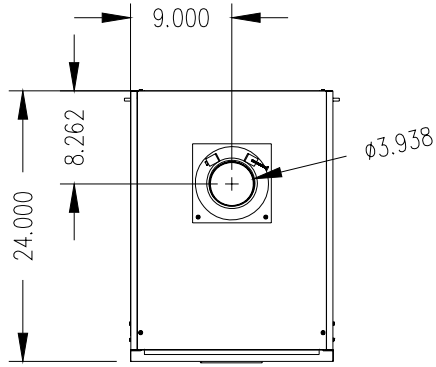
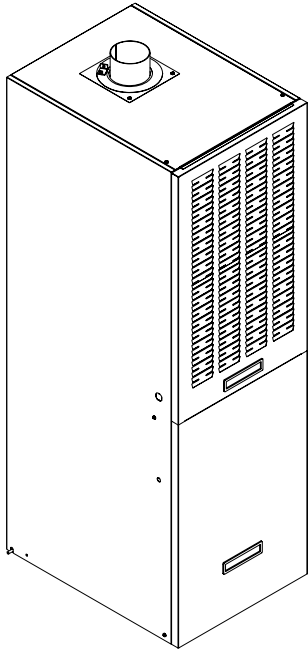
FURNACE MODEL	OMD-70				
BLOWER MODEL	10-7 DD				
MOTOR H.P.	1/5				
NO. OF SPEEDS	1				
CFM VS. ESP IN W.C.	.2	.3	.4	.5	.6
	780	740	700	650	600

BURNER DATA

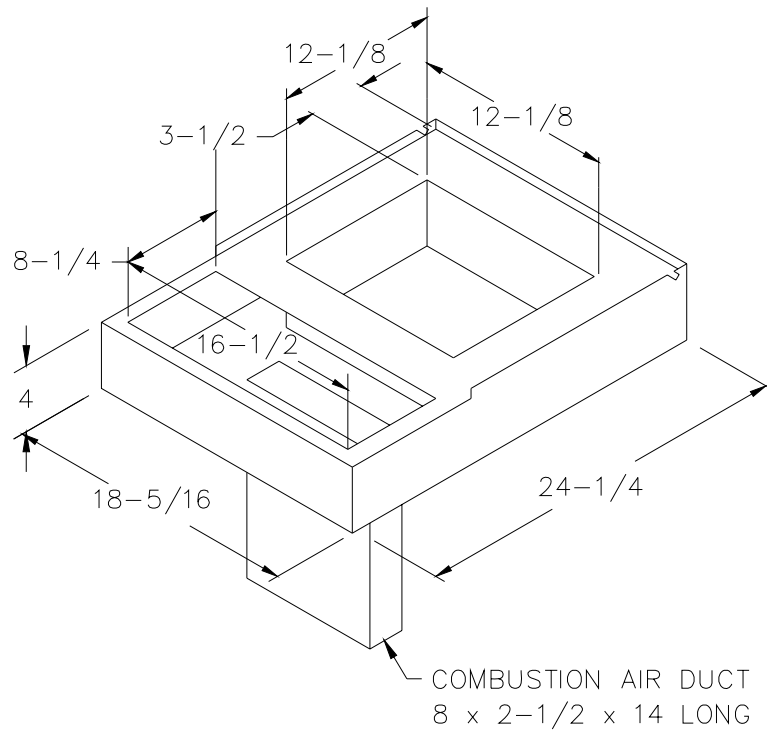
FURNACE MODEL	OMD-70
BURNER MODEL	BECKETT
SPEC. NO	TP-1405
AIR TUBE LENGTH	3-5/8"
HEAD	F-3
NOZZLE / ORIFICE	0.65 X 80° A
REFRACTORY	MHC
PUMP PRESSURE (PSIG)	100

- SEE NEXT PAGE FOR MORE DATA -

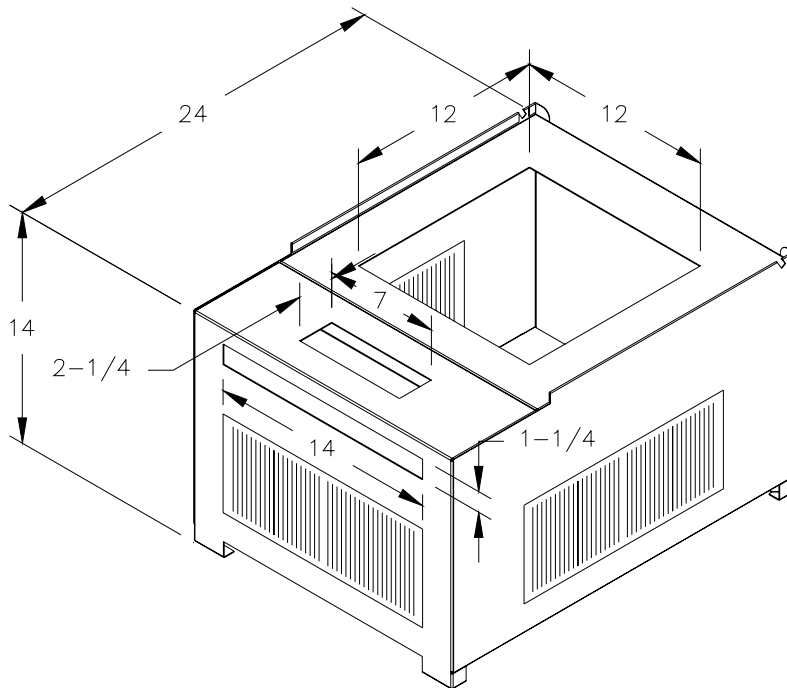
OIL-FIRED MOBILE HOME FURNACE SPECIFICATIONS OMD-70



- SEE NEXT PAGE FOR MORE DATA -



Combustible Floor Base Model: 70-BASE



Cottage Base Model: 01COT-BASE

- SEE NEXT PAGE FOR MORE DATA -

OMD-70 SPECIFICATIONS

