



AIR HANDLER NOMENCLATURE				
AH	2436	A	E	1
AIR HANDLER	CAPACITY RANGE 24,000 – 36,000	A = 115V B = 240V	ECM MOTOR	REVISION LEVEL

HOT WATER COIL TO BE USED WITH AH2436AE1 / AH2436BE1		
MODEL	HEATING CAPACITY (BTUH)	INLET TEMPERATURE RANGE (DEG. F)
HC1-B	32,000–75,000	140-180

HOT WATER COIL TO BE USED WITH AH4260AE1 / AH4260BE1		
MODEL	HEATING CAPACITY (BTUH)	INLET TEMPERATURE RANGE (DEG. F)
HC2-A	55,000–120,000	140-180

“A” STYLE EVAPORATOR COILS TO BE USED WITH AH2436AE1 / AH2436BE1		
MODEL	COOLING CAPACITY (BTUH)	SEER RATING
13U2436AB14	24,000-36,000	13.0+

“A” STYLE EVAPORATOR COILS TO BE USED WITH AH4260AE1 / AH4260BE1		
MODEL	COOLING CAPACITY (BTUH)	SEER RATING
13U4248AB20	36,000-60,000	13.0+

A/C CONDENSER UNITS TO BE USED WITH (AH) PRODUCT LINE			
MODEL	COOLING CAPACITY (BTUH)	SEER	EER
AC14241E2	26,000	16.20	14.10
AC14301E2	31,000	16.20	14.20
AC14361E2	36,200	14.95	13.30
AC14421E2	43,000	15.40	13.55
AC14481E2	47,000	13.60	11.70
AC14483E2	48,000	14.45	12.85
AC14601E2	58,500	13.00	11.25
AC14603E2	60,000	13.00	11.65
HP14241A1	25,200	15.40	13.50
HP14301A1	29,800	14.75	13.15
HP14361A1	35,200	14.40	12.85

ELECTRIC HEATER TO BE USED WITH AH2436BE1		
MODEL	HEATING CAPACITY KW/ BTUH	VOLTS / AMPS
EH104A	4KW / 13,600 BTU	240V / 16.7 AMPS
EH108A	8KW / 27,200 BTU	240V / 33.4 AMPS

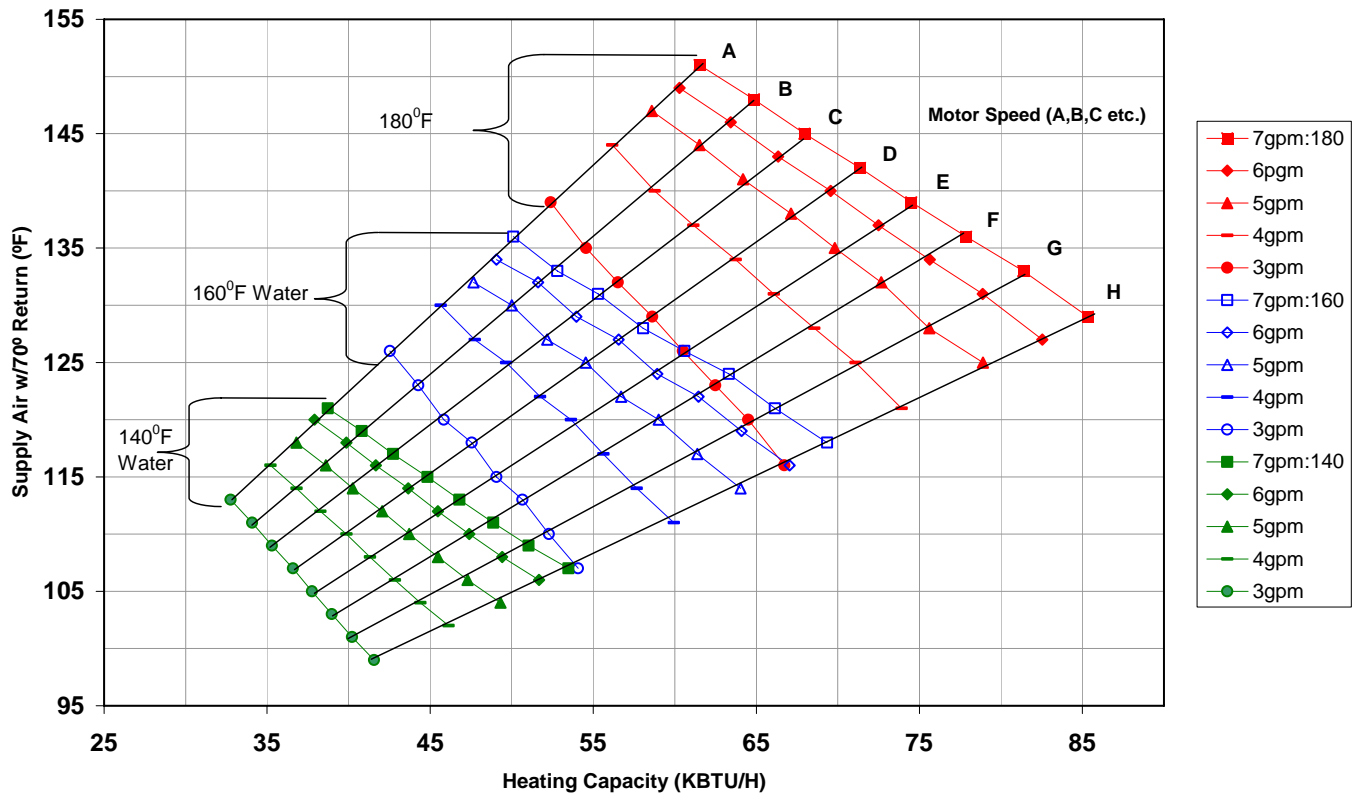
ELECTRIC HEATER TO BE USED WITH AH4260BE1		
MODEL	HEATING CAPACITY KW/ BTUH	VOLTS / AMPS
EH208A	8KW / 27,200 BTU	240V / 33.4 AMPS
EH212A	12KW / 40,800 BTU	240V / 50.1 AMPS
EH216A	16KW / 54,400 BTU	240V / 66.8 AMPS

		AH2436*E1	AH2436*E1 w/ UA1-C CABINET	AH4260*E1	AH4260*E1 w/ UA2-C CABINET
UNIT	WIDTH	17.033"	17.033"	23.408"	23.408"
	DEPTH	21.5"	21.5"	28.185"	28.185"
	HEIGHT	52"	60"	59"	67"
SUPPLY PLENUM	WIDTH	14	14"	20	20"
	DEPTH	16	16"	20	20"
RETURN PLENUM	WIDTH	12.875	7.875" side plenum height	15.875	7.875" side plenum height
	DEPTH	15.875	19.875" side plenum width	17.875	25.875" side plenum width
FILTER SIZE		NOT SUPPLIED	16X20X1	NOT SUPPLIED	20X25X1
SHIPPING WEIGHT (LB)		130		180	

COOLING SPEEDS (CFM)								
MODEL NUMBER	BOTH			AH4260*E1		AH2436*E1		BOTH
HEAT/COOL/FAN	COOLING Settings			COOL	DEHUM	COOL	DEHUM	FAN
SW1 Switch Locations	6	5	4					
	OFF	OFF	OFF	800	560	800	560	500
	OFF	OFF	ON	1000	700	1000	700	500
	OFF	ON	OFF	1200	840	1200	840	600
	OFF	ON	ON	1400	980	1400	980	700
	ON	OFF	OFF	1600	1120		1120	800
	ON	OFF	ON	1800	1260		1260	900
	ON	ON	OFF	2000	1400			1000
	ON	ON	ON	2200	1540			1100

HEATING SPEEDS FOR ELECTRIC HEATERS									
			AH4260BE1				AH2436BE1		
3	2	1	CFM	EH208A	EH212A	EH216A	CFM	EH104A	EH108A
				TEMP RISE	TEMP RISE	TEMP RISE		TEMP RISE	TEMP RISE
OFF	OFF	OFF	1007	25	38	50	689	18	37
OFF	OFF	ON	1102	23	34	46	754	17	33
OFF	ON	OFF	1197	21	32	42	819	15	31
OFF	ON	ON	1311	19	29	38	897	14	28
ON	OFF	OFF	1425	18	27	35	975	13	26
ON	OFF	ON	1558	16	24	32	1066	12	24
ON	ON	OFF	1710	15	22	29	1170	11	22
ON	ON	ON	1900	13	20	27	1300	10	19

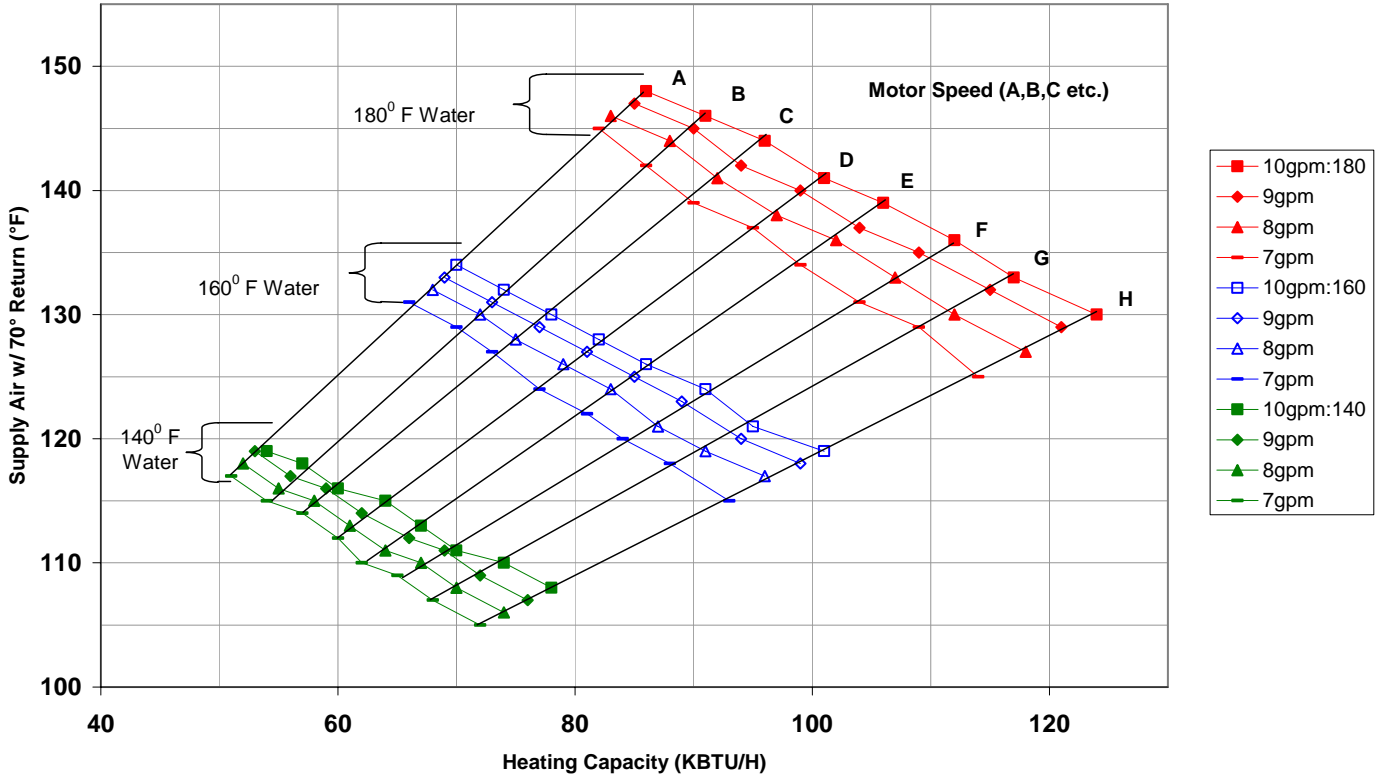
**AH2436\*E1 Temperature & Heat Values at 140, 160 & 180°F and  
3,4,5,6 & 7 gallons per minute at selected speeds**



Heat Settings (SW1)				
SPEED	CFM	1	2	3
A	689	OFF	OFF	OFF
B	754	ON	OFF	OFF
C	819	OFF	ON	OFF
D	897	ON	ON	OFF
E	975	OFF	OFF	ON
F	1066	ON	OFF	ON
G	1170	OFF	ON	ON
H	1300	ON	ON	ON

Inlet Water Temperature	Flow	Tubeside PD	CFM	Heating Capacity (KBTU/H)							
				689 (A)	754 (B)	819 (C)	897 (D)	975 (E)	1066 (F)	1170 (G)	1300 (H)
180° F	7 gpm	5.42	Supply Air (°F)	151°	148°	145°	142°	139°	136°	133°	129°
			Heat (Kbtu/H)	61517	64858	67946	71362	74504	77871	81378	85332
	6 gpm	4.05	Supply Air (°F)	149°	146°	143°	140°	137°	134°	131°	127°
			Heat (Kbtu/H)	60283	63437	66346	69553	72493	75631	78888	82545
	5 gpm	2.88	Supply Air (°F)	147°	144°	141°	138°	135°	132°	128°	125°
			Heat (Kbtu/H)	58593	61512	64191	67131	69813	72663	75606	78893
	4 gpm	1.89	Supply Air (°F)	144°	140°	137°	134°	131°	128°	125°	121°
			Heat (Kbtu/H)	56163	58766	61139	63727	66073	68549	71090	73907
	3 gpm	1.11	Supply Air (°F)	139°	135°	132°	129°	126°	123°	120°	116°
			Heat (Kbtu/H)	52393	54554	56507	58615	60509	62490	64505	66717
160° F	7 gpm	5.54	Supply Air (°F)	136°	133°	131°	128°	126°	124°	121°	118°
			Heat (Kbtu/H)	50092	52795	55294	58057	60597	63317	66151	69343
	6 gpm	4.15	Supply Air (°F)	134°	132°	129°	127°	124°	122°	119°	116°
			Heat (Kbtu/H)	49061	51611	53962	56554	58928	61461	64090	67039
	5 gpm	2.95	Supply Air (°F)	132°	130°	127°	125°	122°	120°	117°	114°
			Heat (Kbtu/H)	47654	50011	52174	54547	56711	59009	61382	64031
	4 gpm	1.94	Supply Air (°F)	130°	127°	125°	122°	120°	117°	114°	111°
			Heat (Kbtu/H)	45639	47738	49652	51738	53629	55624	57670	59939
	3 gpm	1.13	Supply Air (°F)	126°	123°	120°	118°	115°	113°	110°	107°
			Heat (Kbtu/H)	42530	44272	45845	47544	49069	50664	52286	54068
140° F	7 gpm	5.67	Supply Air (°F)	121°	119°	117°	115°	113°	111°	109°	107°
			Heat (Kbtu/H)	38730	40806	42723	44842	46788	48872	51041	53484
	6 gpm	4.25	Supply Air (°F)	120°	118°	116°	114°	112°	110°	108°	106°
			Heat (Kbtu/H)	37900	39865	41666	43651	45468	47406	49417	51672
	5 gpm	3.02	Supply Air (°F)	118°	116°	114°	112°	110°	108°	106°	104°
			Heat (Kbtu/H)	36792	38597	40252	42067	43721	45478	47290	49313
	4 gpm	1.99	Supply Air (°F)	116°	114°	112°	110°	108°	106°	104°	102°
			Heat (Kbtu/H)	35200	36806	38268	39862	41305	42828	44390	46121
	3 gpm	1.16	Supply Air (°F)	113°	111°	109°	107°	105°	103°	101°	99°
			Heat (Kbtu/H)	32760	34090	35291	36588	37751	38968	40206	41565

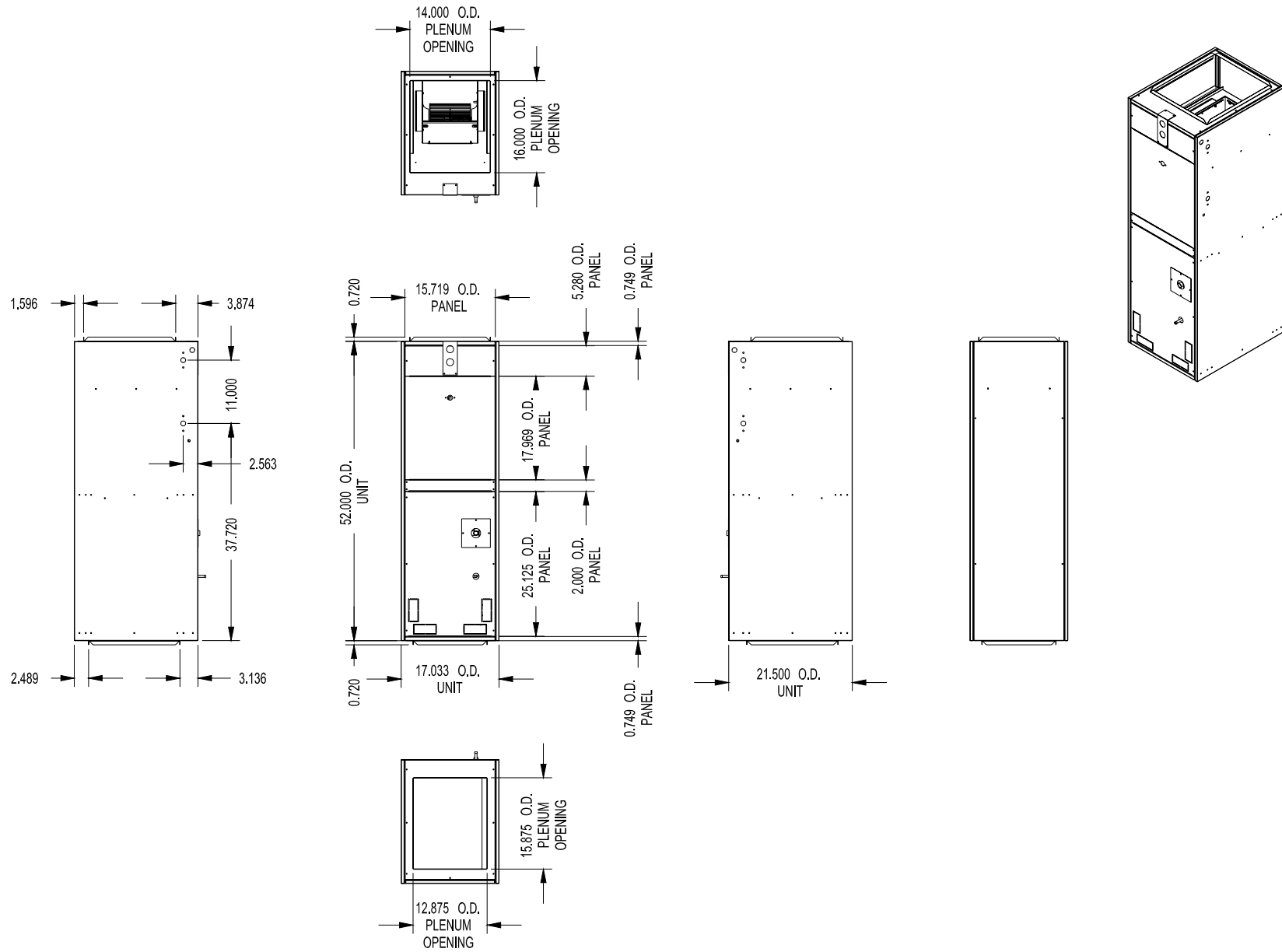
**AH4260\*E1 Temperature & Heat Values at 140, 160 & 180°F  
and 7,8,9 & 10 gallons per minute at selected speeds**



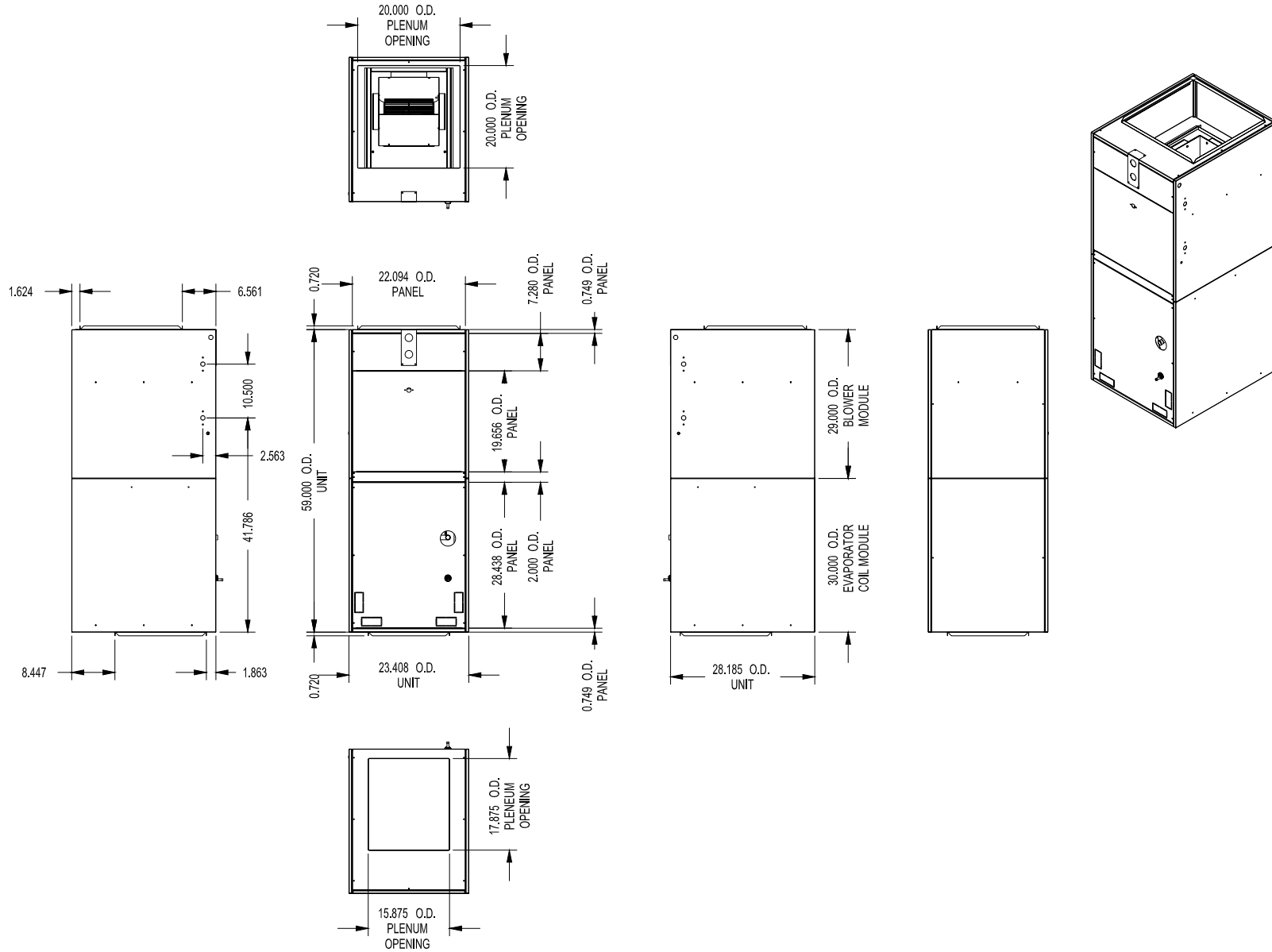
Heat Settings (SW1)				
SPEED	CFM	1	2	3
A	1007	OFF	OFF	OFF
B	1102	ON	OFF	OFF
C	1197	OFF	ON	OFF
D	1311	ON	ON	OFF
E	1425	OFF	OFF	ON
F	1558	ON	OFF	ON
G	1710	OFF	ON	ON
H	1900	ON	ON	ON

Inlet Water Temperature	Flow	Tubeside PD	CFM	1007 (A)	1102 (B)	1197 (C)	1311 (D)	1425 (E)	1558 (F)	1710 (G)	1900 (H)	
180°F H <sub>2</sub> O	10 gpm	1.88	Supply Air (°F)	148	146	144	141	139	136	133	130	
			Heat (Kbtu/H)	86	91	96	101	106	112	117	124	
	9 gpm	1.54	Supply Air (°F)	147	145	142	140	137	135	132	129	
			Heat (Kbtu/H)	85	90	94	99	104	109	115	121	
	8 gpm	1.23	Supply Air (°F)	146	144	141	138	136	133	130	127	
			Heat (Kbtu/H)	83	88	92	97	102	107	112	118	
	7 gpm	0.95	Supply Air (°F)	145	142	139	137	134	131	129	125	
			Heat (Kbtu/H)	82	86	90	95	99	104	109	114	
	160°F H <sub>2</sub> O	10 gpm	1.92	Supply Air (°F)	134	132	130	128	126	124	121	119
				Heat (Kbtu/H)	70	74	78	82	86	91	95	101
		9 gpm	1.57	Supply Air (°F)	133	131	129	127	125	123	120	118
				Heat (Kbtu/H)	69	73	77	81	85	89	94	99
8 gpm		1.25	Supply Air (°F)	132	130	128	126	124	121	119	117	
			Heat (Kbtu/H)	68	72	75	79	83	87	91	96	
7 gpm		0.97	Supply Air (°F)	131	129	127	124	122	120	118	115	
			Heat (Kbtu/H)	66	70	73	77	81	84	88	93	
140°F H <sub>2</sub> O		10 gpm	1.95	Supply Air (°F)	119	118	116	115	113	111	110	108
				Heat (Kbtu/H)	54	57	60	64	67	70	74	78
		9 gpm	1.6	Supply Air (°F)	119	117	116	114	112	111	109	107
				Heat (Kbtu/H)	53	56	59	62	66	69	72	76
	8 gpm	1.27	Supply Air (°F)	118	116	115	113	111	110	108	106	
			Heat (Kbtu/H)	52	55	58	61	64	67	70	74	
	7 gpm	0.99	Supply Air (°F)	117	115	114	112	110	109	107	105	
			Heat (Kbtu/H)	51	54	57	60	62	65	68	72	

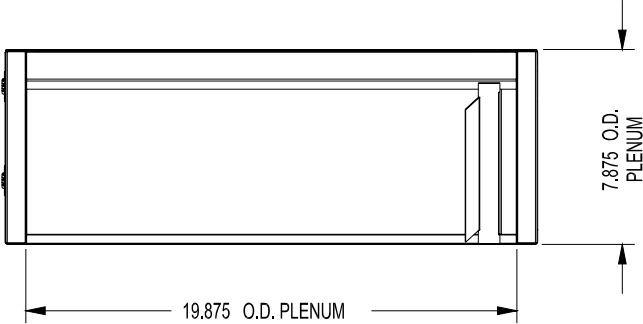
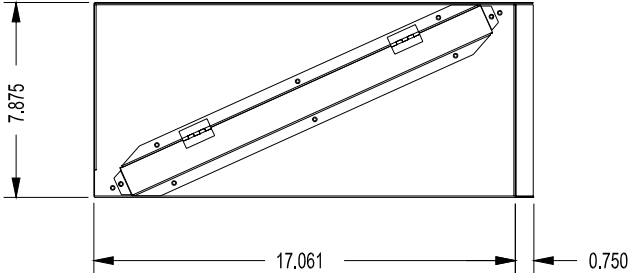
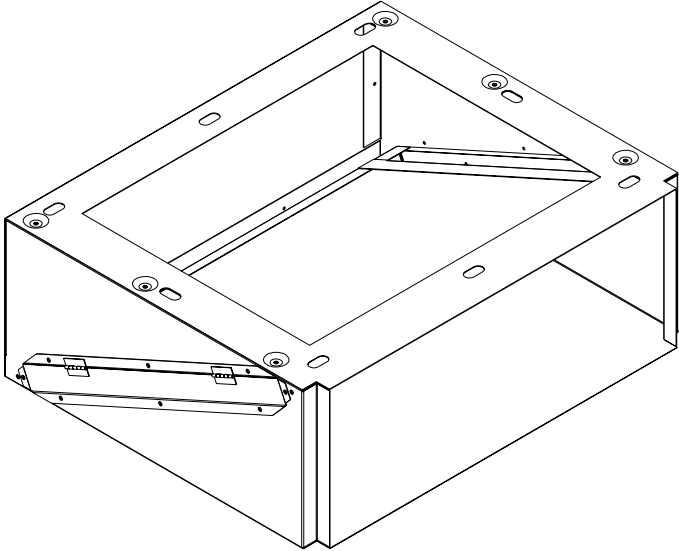
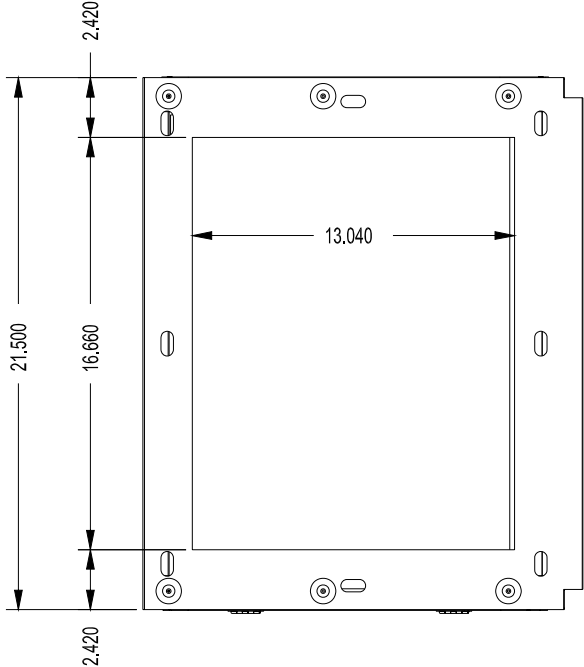
# AH2436\*E1 AIR HANDLER SPECIFICATIONS



# AH4260\*E1 AIR HANDLER SPECIFICATIONS



UA1-C UPFLOW ADAPTER CABINET SPECIFICATIONS



# UA2-C UPFLOW ADAPTER CABINET SPECIFICATIONS

